

Coaxial Cabling : HD-TVI/AHD/HDCVI/CVBS Video Distributor

ITEM NO.: HD-TVI/AHD/HDCVI/CVBS

1 input 8 output

Video Distributor



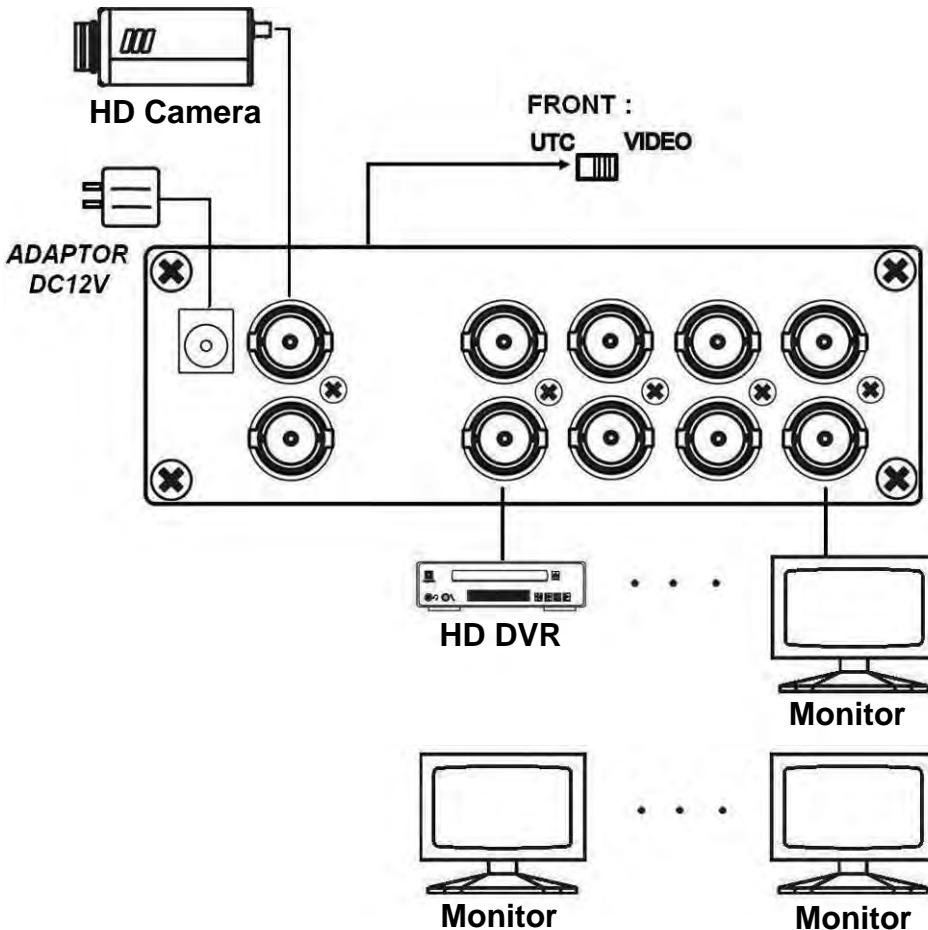
CD108HD is 1 input 8 output HD-TVI/AHD/HDCVI/CVBS Video distributor. They are suitable for far distance, different floor in a building or different electrical field.

HD-TVI/AHD/HDCVI/CVBS 1 In 8 Out Video Distributor Features:

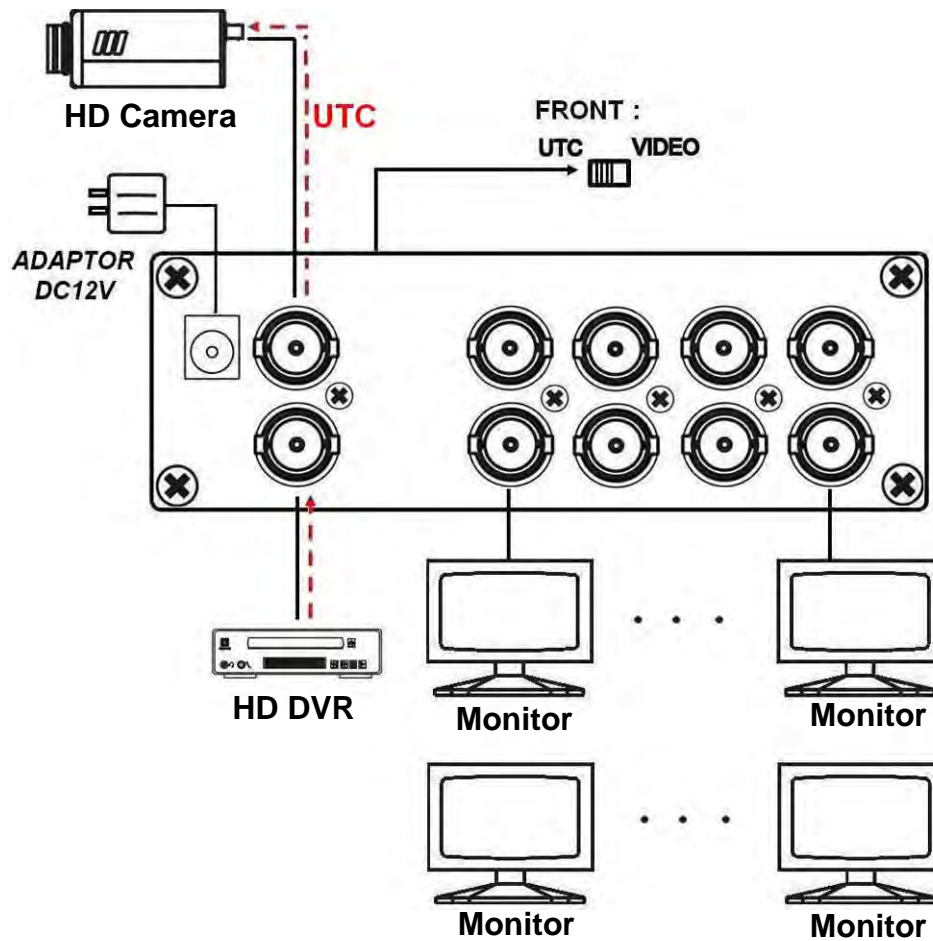
- 1 Video input to 8 video output.
- Support HD-TVI, AHD, HDCVI, 960H, NTSC, PAL video signal.
- Support HD video + data control mode (Up the coax).
- Built in TVS protection.

Installation View:

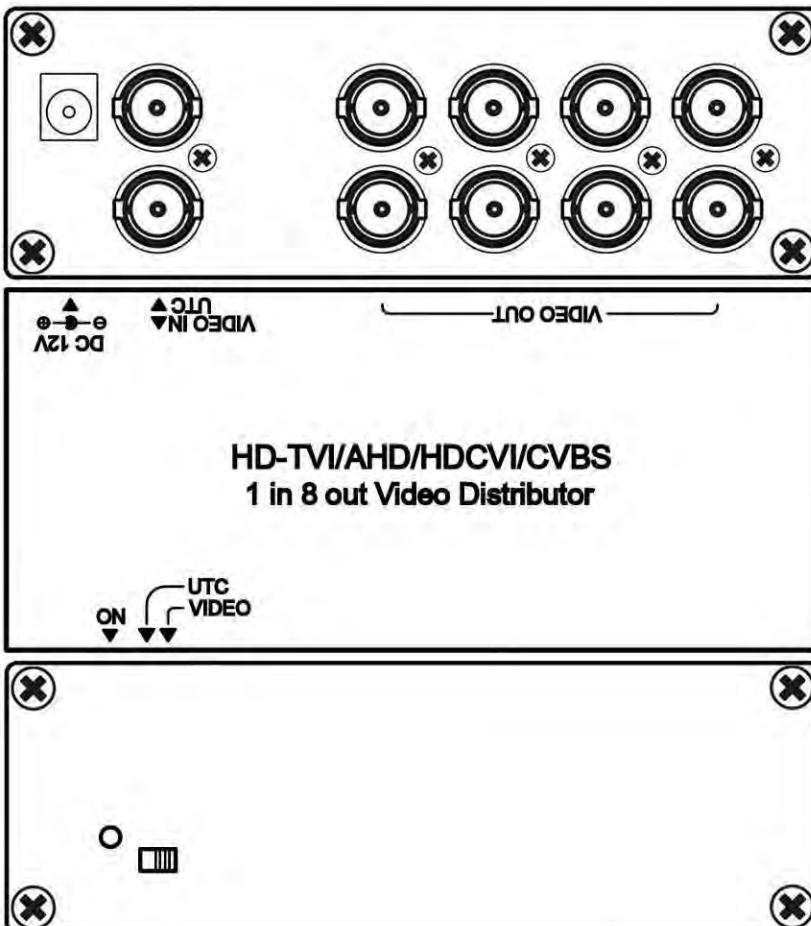
Slide switch at video:



Slide switch at UTC:



Panel View:



Cable & Transmission Distance :

Link cable recommend use high quality 75ohm coaxial RG59/RG6U cable. The transmission distance will be affected by different quality of Camera, DVR and BNC connector, cable, installation...etc.

LED Indication:

GREEN
ON Power ON
OFF Power OFF

Dip Switch:

VIDEO Video Distribution mode: not support UTC output.
UTC UTC Transmission mode: support Video & UTC control data output.

UTC Instruction :

1. Under UTC Video+Data mode, the UTC output must connect with HD-DVR. Not allow to connect with CVBS Camera/DVR to avoid picture over brightness.
2. Under video distribution mode, no video on UTC output port.

Specifications:

ITEM NO.	CH120
Video Input Channel	BNC x 1, 75Ω, 1Vpp
Video Output Channel	BNC x 8, 75Ω, 1Vpp
UTC Control Channel	BNC x 1, 75Ω, 1Vpp
Video Bandwidth	100MHz 0.1dB Gain Flatness
Power Supply	DC12V 500mA
Power Consumption	180mA (Max)
Temperature	Operation: 0 to 55°C, Storage: -20 to 85°C, Humidity: up to 95%
Dimensions mm	133 x 75 x 44
Weight g	430

RoHS   

Rev. A