

WIFI PTZ Camera (App: Camhi)



Feature

Camera:

- 1.1/2.8 2.0Megapixels Sony IMX335 Sensor
2. 20 X optical zoom, auto focus
- 3.5.0MP
- 4.True Day/Night, 3D DNR
- 5.Backlight compensation, and auto gain control (AGC)

Network Features:

- 1.Main Stream: (2592*1944)30fps
- 2.Support the P2P or Android, IOS
- 3.Support Onvif2.4
- 4.H.265 H.264 main profile & M-JPEG Dual-stream
- 5.Standard SDK,CGI,easily to be integrated with other digital systems
- 6.Support P2P plug and play;
- 7.Support IE, Google, Firefox browser
- 8.Support PC client to download SD card video
- 9.Support mobile phone download and playback SD card recording

10.Support :Onvif/PSIA/RTSP/CGI/API/GB28181

11.Support motion detection (area, sensitivity can be set) alarm function

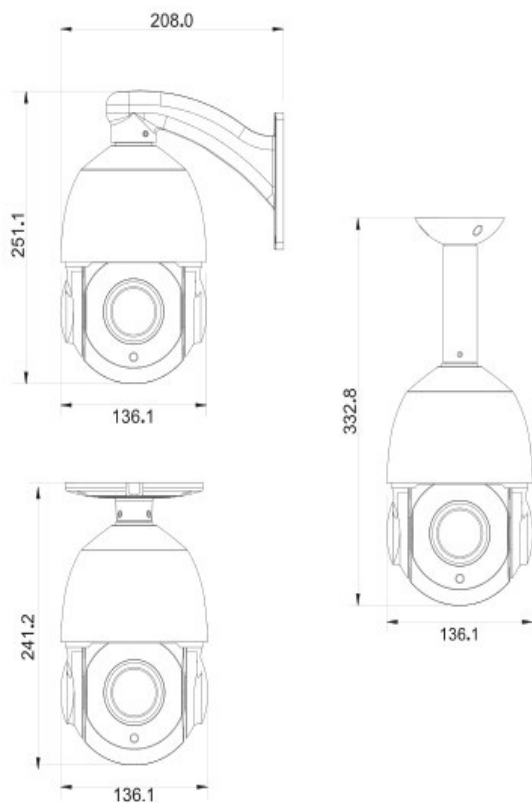
Dome Features:

1. NEW 32 bit processor, with soft ID, more storage space, higher speed, better performance, lower consumption
2. With 6 array IR Led, IR distance 70M
3. 355 degree continued rotation, manual pan speed 0.1~30/S, manual tilt speed 0.1~30/S, preset speed 128 PCS.

Camera Specification	
Products Model	FA-Toslink
Sensor	1/2.8" Progressive SONY335
Effective pixels	2592x1944
Lens	Distance Focus F=4.7mm~94mmOR2.8-12mm
Zoom	20X optical zoom OR 4X optical zoom
Total pixels	5.0Megapixels
Synchronous mode	Internal synchronization
Signal system	PAL/NTSC
Minimum illumination	Color: black and white 0.1Lux: 0.01Lux
Camera OSD display	English menu
Exposure mode	Automatic / manual
mirror function	Support (mirror horizontal + vertical mirror)
Digital noise reduction	2D Digital noise reduction
Electronic shutter	1/25s~1/10,000s
PTZ Specification	
Laser light	6pcs LED,Effective IR distance up to 70m
Horizontal rotary speed	1° ~40° /S;
vertical rotary speed	1° ~20° /S;
TF Card	support
Night vision image	soft, bright, standard
guard position	Support
Audio function	support

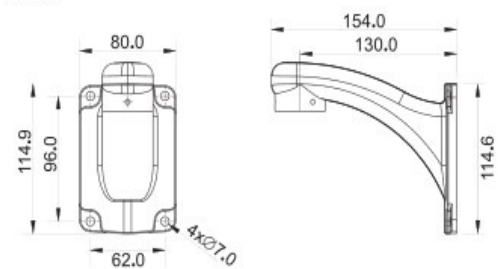
Power off memory	Support
Structure	4.5 inch All metal structure
Humidity	≤95% Non Condensing
Power	DC12V ≤2A(Waterproof power)
Consumption	< 35W
Lightning Protection	Transient voltage 3000V
Bracket	Standard wall mounting (Hoisting optional)
Weight	2.0KG
CTN	205*205*190mm
Related validation	IP66,RoHs, CE

球机尺寸

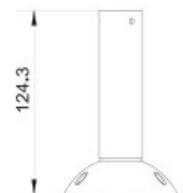
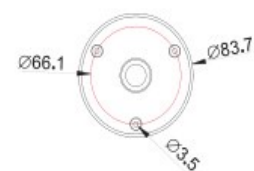


支架尺寸

壁装支架



吊顶式支架



吸顶式支架

