

Contents

1 Appearance	1
1.1 Indoor Station	1
1.2 Module Door Station	3
2 Terminal and Wiring	4
2.1 Terminal Description	4
2.2 Module Door Station Wiring	5
2.2.1 Door Lock Wiring	5
2.2.2 Door Magnetic Wiring	6
2.2.3 Exit Button Wiring	7
3 Installation	9
3.1 Indoor Station Installation	9
3.1.1 Wall Mounting Plate	9
3.1.2 Wall Mounting with Junction Box	10
3.2 Module Door Station Installation	11
3.2.1 Configure Sub Module Address	11
3.2.2 One-Module Surface Mounting	12
4 Typical Application	16
5 Getting Started	17
5.1 Activate Indoor Station	17
5.2 Quick Operation	17

1 Appearance

1.1 Indoor Station

Front Panel

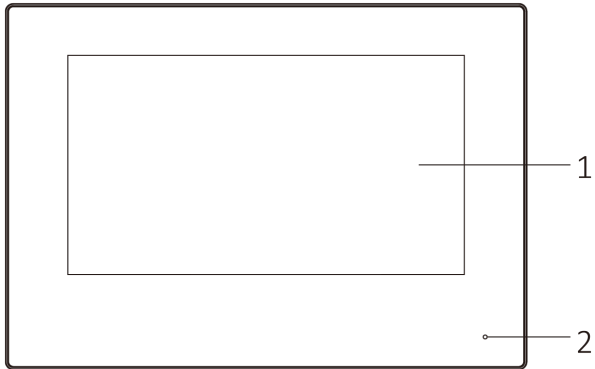


Figure 1-1 Front Panel

Table 1-1 Description

No.	Description
1	Screen
2	Microphone

Rear Panel

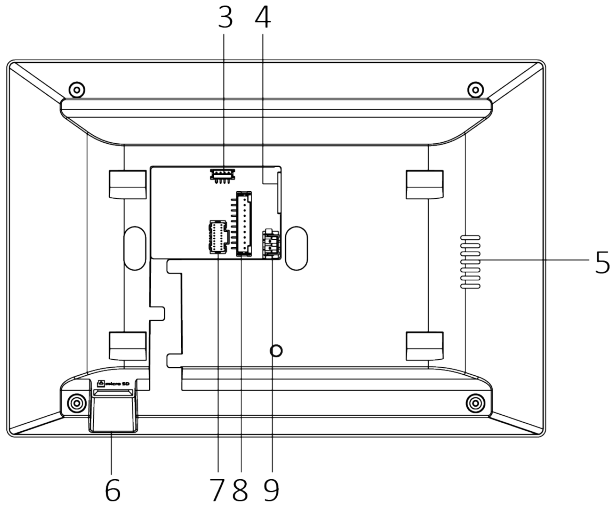


Figure 1-2 Rear Panel
Table 1-2 Description

No.	Description
3	Debug Terminal
4	Network Interface
5	Loudspeaker
6	TF Card Slot
7	Alarm Terminal
8	Reserved
9	Power Terminal

Note

The debug terminal is used for debugging only.

1.2 Module Door Station

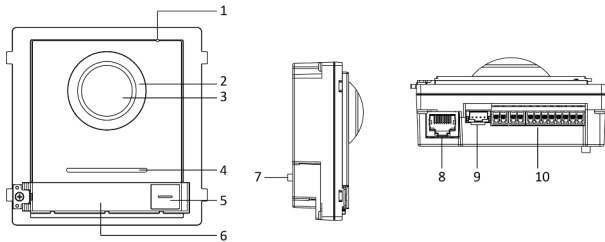


Figure 1-3 Front and Side Panel
Table 1-3 Appearance Description

No.	Description
1	Microphone
2	Low Illumination IR Supplement Light
3	Built-in Camera
4	Loudspeaker
5	Call Button
6	Nametag
7	TAMPER
8	Network Interface
9	Module-connecting Interface (output)
10	Terminals

2 Terminal and Wiring

2.1 Terminal Description

Indoor Station Terminals

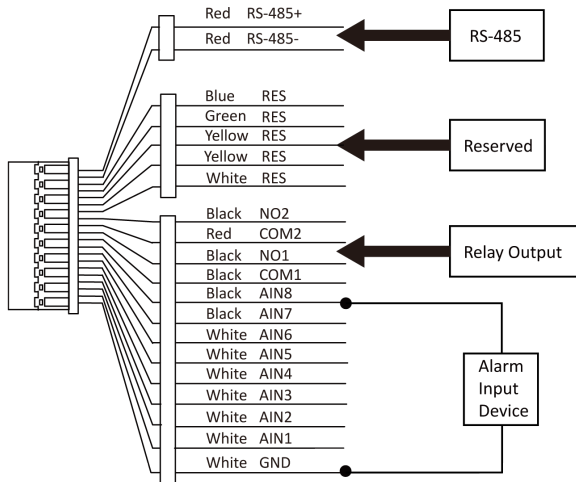


Figure 2-1 Wiring Description (Alarm Input Device)

Module Station Terminals

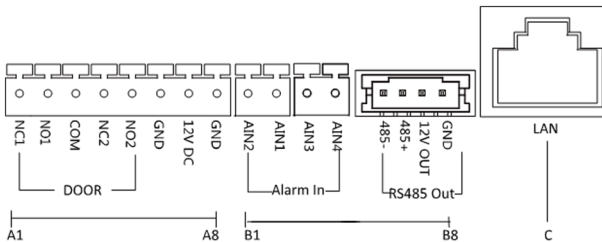


Figure 2-2 Terminals and Interfaces

Table 2-1 Descriptions of Terminals and Interfaces

No.	Interface	Description
A1	NC1	Door Lock Relay Output (NC)
A2	NO1	Door Lock Relay Output (NO)
A3	COM	Common Interface
A4	NC2	Door Lock Relay Output (NC)
A5	NO2	Door Lock Relay Output (NO)
A6	GND	Grounding
A7	12 VDC	Power Supply Output
A8	GND	Grounding
B1	AIN2	For the access of Door Magnetic 2
B2	AIN1	For the access of Door Magnetic 1
B3	AIN3	For the access of Exit Button 1
B4	AIN4	For the access of Exit Button 2
B5	485-	Module-connecting Interface
B6	485+	
B7	12 V OUT	
B8	GND	
C	LAN	PoE Network Interface(Supports IEEE 802.3af/at-Compliant Devices)

2.2 Module Door Station Wiring

2.2.1 Door Lock Wiring

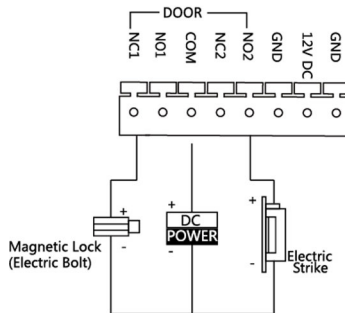


Figure 2-3 Door Lock Wiring

 **Note**

- Terminal NC1/COM is set as default for accessing magnetic lock/electric bolt; terminal NO2/COM is set as default for accessing electric strike.
 - Lock should be powered by itself. Max. voltage and current for relay is 30V and 1A.
-

2.2.2 Door Magnetic Wiring

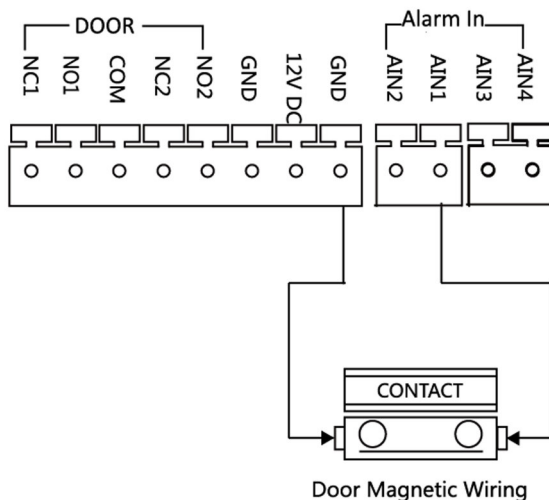


Figure 2-4 Door Magnetic Wiring

Note

AIN1 and AIN2 are defaulted to connect door magnetic. Door magnetic connected to AIN1 detects status of the lock that connected to NC1/NO1; Door magnetic connected to AIN2 detects the status of the lock connected to NC2/NO2.

2.2.3 Exit Button Wiring

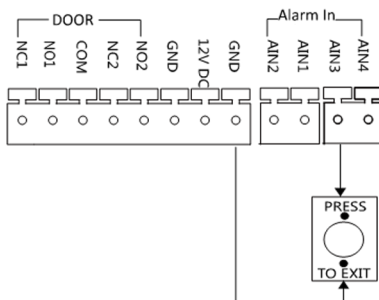


Figure 2-5 Exit Button Wiring

 **Note**

AIN3 and AIN4 are set as default for connecting exit button. Exit button connected to AIN3 opens the lock connected to NC1/NO1; Exit button connected to AIN4 controls the lock that connected to NC2/NO2.

3 Installation

Note

- Make sure the device in the package is in good condition and all the assembly parts are included.
 - Sub module must work along with the main unit.
 - Set the sub module address before start the installation steps.
 - Make sure the place for surface mounting is flat.
 - Make sure all the related equipment is power-off during the installation.
 - Tools that you need to prepare for installation:
Drill ($\varnothing 6$), cross screwdriver (PH1*150 mm), and gradienter.
-

3.1 Indoor Station Installation

Enter a short description of your concept here (optional).

This is the start of your concept.

3.1.1 Wall Mounting Plate

The wall mounting plate and the junction box are required to install the indoor station onto the wall.

The dimension of junction box should be 75 mm (width) \times 75 mm (length) \times 50 mm (depth).

The dimension of wall mounting plate is shown .

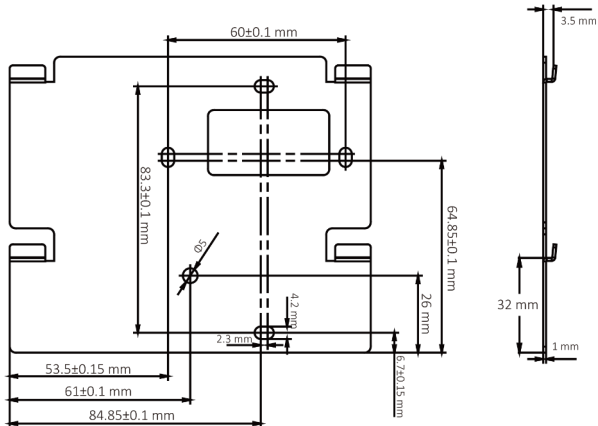


Figure 3-1 Wall Mounting Plate

3.1.2 Wall Mounting with Junction Box

Before You Start

 **Note**

- Make sure the device in the package is in good condition and all the assembly parts are included.
- The power supply the indoor station supports is 12 VDC. Please make sure your power supply matches your indoor station.
- Make sure all the related equipment is power-off during the installation.
- Check the product specification for the installation environment.

Steps

1. Chisel a hole in the wall. The size of the hole should be 76 mm (width) × 76 mm (length) × 50 mm (depth).
2. Insert the junction box to the hole chiseled on the wall.
3. Fix the wall mounting plate to the junction box with 2 screws.
4. Hook the indoor station to the wall mounting plate tightly by inserting the plate hooks into the slots on the rear panel of the indoor station, during which the lock catch will be locked automatically.

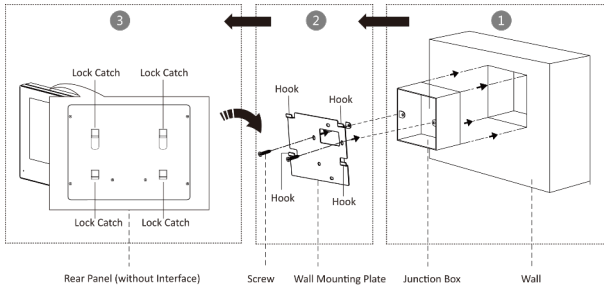


Figure 3-2 Wall Mounting with Junction Box

3.2 Module Door Station Installation

3.2.1 Configure Sub Module Address

You need to set the sub module address via DIP before installation.

Steps

1. Remove the rubber cover on the sub module rear panel to expose the DIP switch.

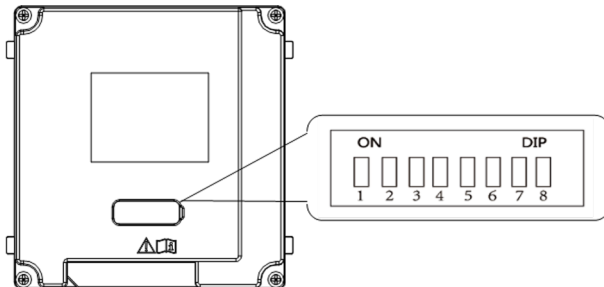


Figure 3-3 DIP Switch

2. Set the sub module address according to the DIP rules, and install the rubber cover back.

Note

- Digit 1, 2, 3, 4 are used to coding the sub module address; Digit 5, 6, 7 are reserved; Digit 8 is a resistance (120Ω) is you set it as on.
- Valid sub module address range is 1 to 8. The No. should be unique for sub modules that connected to the same main unit.
The sub module address and corresponding switch status as below.

Table 3-1 Description

Sub Module Address	1	2	3	4	5	6	7	8
Digit 1	ON	OFF	ON	OFF	ON	OFF	ON	OFF
Digit 2	OFF	ON	ON	OFF	OFF	ON	ON	OFF
Digit 3	OFF	OFF	OFF	ON	ON	ON	ON	OFF
Digit 4	OFF	OFF	OFF	OFF	OFF	OFF	OFF	ON

3.2.2 One-Module Surface Mounting

Before You Start

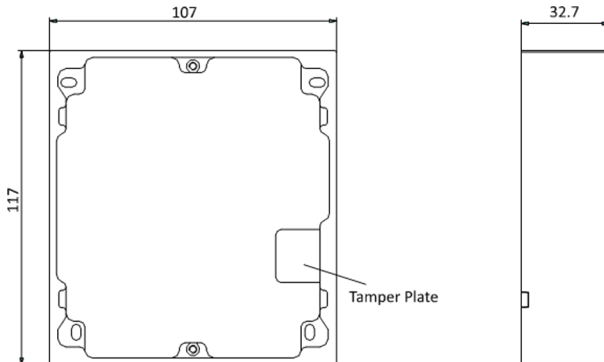


Figure 3-4 Mounting Frame

 **Note**

- The dimension of one module mounting frame is: 117(W)×107(H)×32.7(D) mm.
 - The dimensions above are for reference only. The actual size can be slightly different from the theoretical dimension.
-

Steps

1. Paste the installation Sticker 1 onto the wall. Make sure the sticker is placed leveled via measuring with the gradienter.
 2. Chisel 4 holes with drill align to the screw holes on the sticker.
-

 **Note**

- The suggested size of hole is 6 (diameter) × 25 (depth) mm.
 - The suggested length of cables left outside is 100 mm.
-

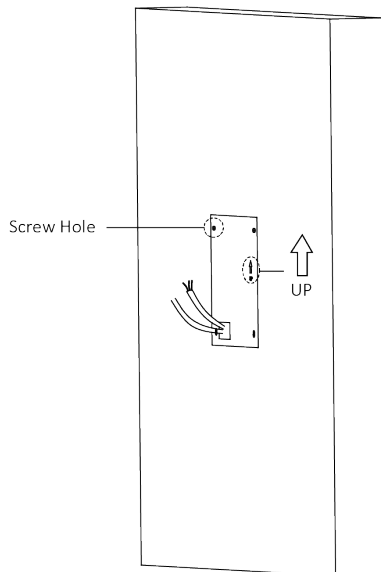


Figure 3-5 Chisel Screw Hole

3. Remove the sticker and insert the expansion sleeves into the screw holes.
4. Fix the mounting frame onto the wall with 4 expansion bolts.

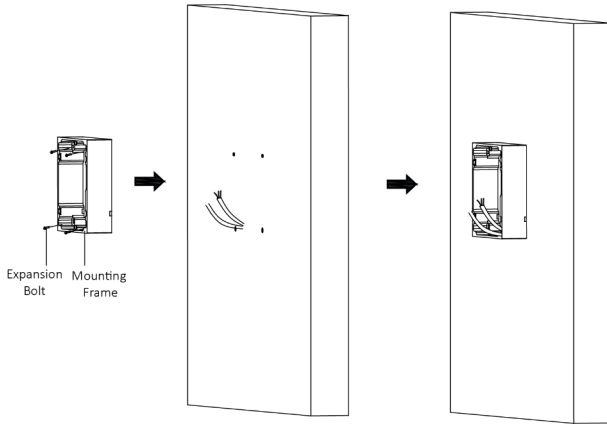


Figure 3-6 Fix the Mounting Frame

5. Connect the cables to the corresponding interfaces of the main unit and insert it into the frame.

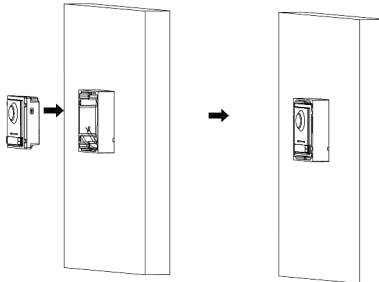


Figure 3-7 Insert the Main Unit

6. Fix the cover onto the frame.

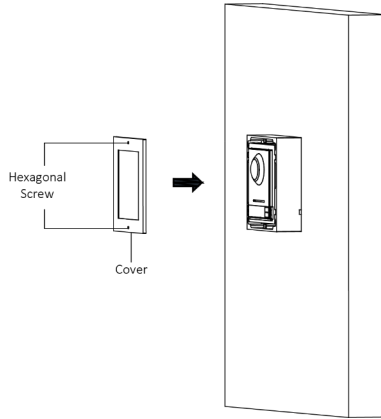


Figure 3-8 Fix the Cover

4 Typical Application

Typical application is shown as below:

 **Note**

- Make sure the door station, PoE switch and indoor station are well connected before your operation.
- Make sure the system has been connected to the network.

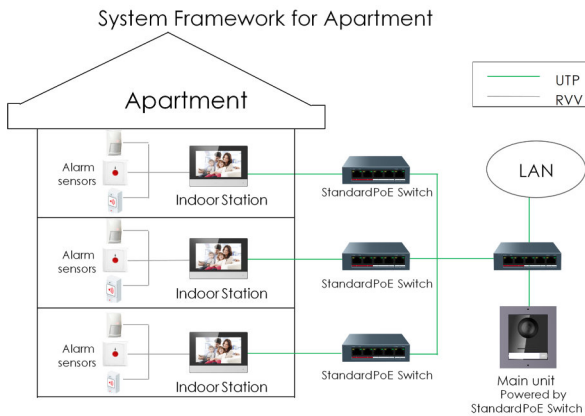


Figure 4-1 Typical Application

5 Getting Started

5.1 Activate Indoor Station

You can only configure and operate the indoor station after creating a password for the device activation.

Steps

1. Power on the device. It will enter the activation page automatically.
2. Create a password and confirm it.
3. Tap **OK** to activate the indoor station.

Note

We highly recommend you to create a strong password of your own choosing (using a minimum of 8 characters, including at least three kinds of following categories: upper case letters, lower case letters, numbers, and special characters) in order to increase the security of your product. And we recommend you reset your password regularly, especially in the high security system, resetting the password monthly or weekly can better protect your product.

5.2 Quick Operation

After indoor station activation, the wizard page will pop up. The door station will be linked to the indoor station after configuring.

Before You Start

Note

- Make sure the door station, PoE switch and indoor station are well connected.
 - Make sure the system has been connected to the network.
 - Make sure the door station and the indoor station are in the same IP segment.
-

Steps

1. Choose Language and tap **Next**.
2. Set network parameters and tap **Next**
 - Edit **Local IP**, **Subnet Mask** and **Gateway** parameters.

- Enable **DHCP**, the device will get network parameters automatically.

Wizard-Network 2/4	
<input checked="" type="checkbox"/> DHCP	<input type="checkbox"/>
Local IP	10.6.112.253
Subnet Mask	255.255.255.0
Gateway	10.6.112.254

Previous Next Skip

Figure 5-3 Network Parameters

3. Configure the indoor station.
 - 1) Choose **Indoor Station Type**.
 - 2) Edit **Floor** and **Room No.**
 - 3) Tap **Next**.

Wizard-Settings 3/4	
<input type="text" value="Indoor Station Type"/>	Indoor Station >
Floor	1
Room No.	1

Previous Next Skip

Figure 5-4 Indoor Station Settings

4. Linked related devices and tap **Next**. If the device and the indoor station are in the same IP segment, the device will be displayed in the list. Tap the device or enter the serial No. to link.

Video Intercom Bundle Quick Start Guide

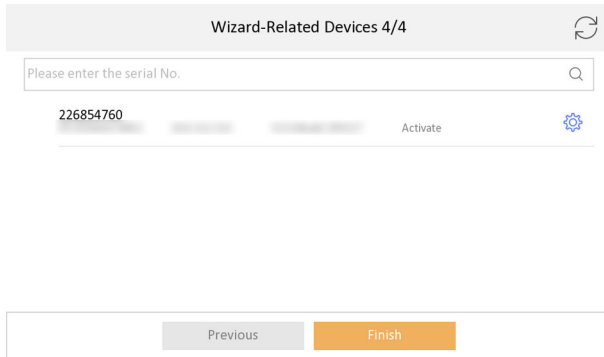



Figure 5-5 Related Device

- 1) Tap the door station in the list to link.

 **Note**

If the door station is inactive, the system will pop up the dialog to activate the door station.

- 2) Tap  to pop up the Network Settings page.
 - 3) Edit the network parameters of the door station manually or enable **DHCP** to get the network parameters automatically.
 - 4) **Optional:** Enable **Synchronize Language** to synchronize the language of door station with indoor station.
 - 5) Tap **OK** to save the settings.
5. Tap **Finish** to save the settings.