

HCO-7070RA

QHD (4MP) Analog IR Bullet Camera



Key Features

- QHD (2560 x 1440, 30fps) resolution
- 0.16 Lux@F1.6 (Color), 0 Lux (B/W : IR LED on)
- 3.2 ~ 10mm (3.1x) varifocal lens
- Day & Night (ICR), DWDR, Motion detection
- Transmission distance Max. 500m
- Easy installation (Plug & play), Dual power
- IP66, IK10 support

Compatible Accessories (Optional)



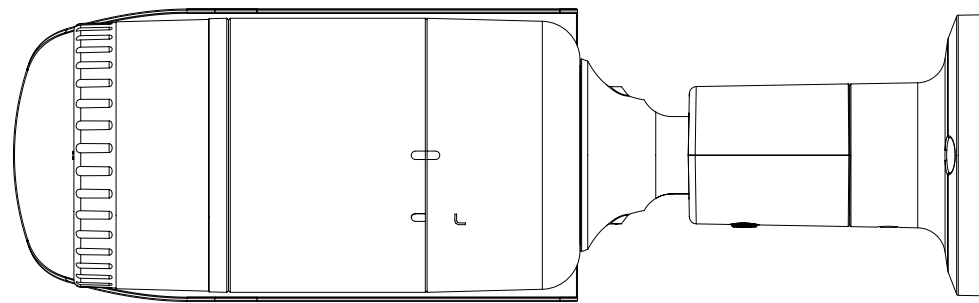
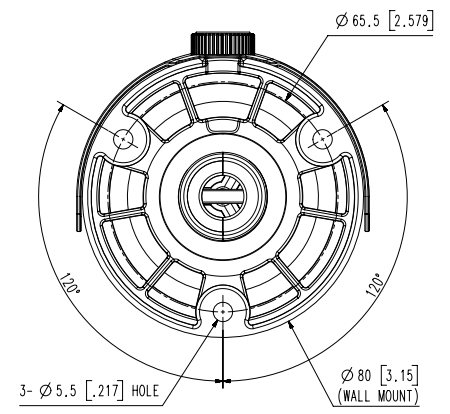
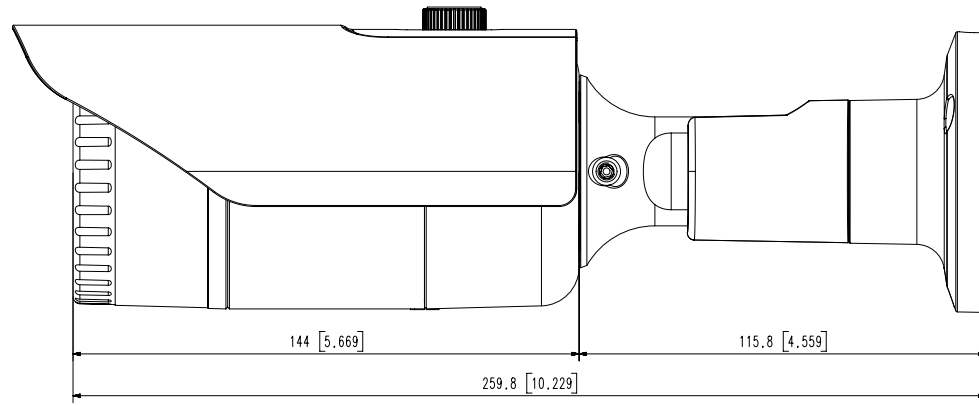
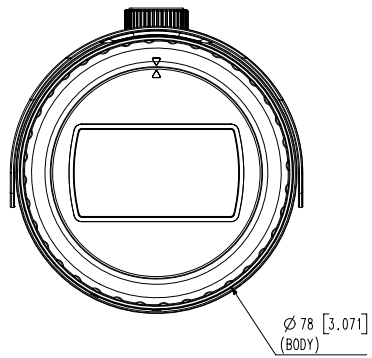
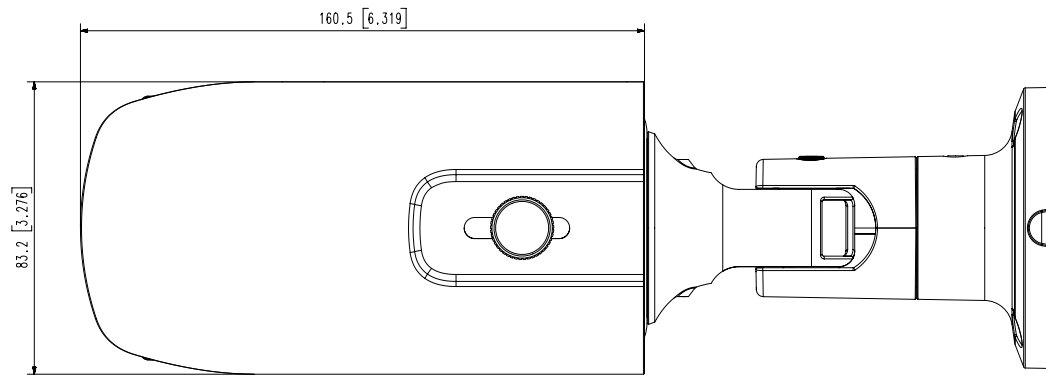
SBO-100B1



SBP-302PM

Video	
Imaging Device	1/3" 4MP CMOS
Resolution	2560x1440
Max. Framerate	30fps@4M(N), 25fps@4M(P)
Min. Illumination	Color: 0.16Lux(F1.6, 1/30sec) BW: 0Lux(IR LED on)
Video Out	BNC(AHD), additional CVBS for installation(2Pin connector type)
Video Transmission Distance	500m(5C2V Coaxial Cable)
Lens	
Focal Length (Zoom Ratio)	3.2~10mm(3.1x) manual varifocal
Max. Aperture Ratio	F1.6
Angular Field of View	H: 93.48(Wide)~29.44(Tele), V: 50.47(Wide)~16.64(Tele), D: 112.53(Wide)~33.7(Tele)
Min. Object Distance	0.5m(1.64ft)
Focus Control	Manual
Lens Type	DC auto iris
Operational	
Day & Night	Auto(ICR)
Backlight Compensation	UserBLC, HLC, DWDR
Digital Noise Reduction	2DDNR
Motion Detection	4 zones
Privacy Masking	2 zones
Gain Control	Low / Middle / High / Very High
White Balance	ATW / AWC / Manual / Indoor / Outdoor
Electronic Shutter Speed	1/30 ~ 1/12,000sec(N), 1/25~ 1/12,000sec(P)
Video Rotation	H-Rev/V-Rev
Analytics	Motion detection
Alarm I/O	MD Output 1ea
IR Viewable Length	30m(98.43ft)
Coaxial Protocol	ACP(AHD Coax Protocol), CVBS: Pelco-C(Coaxitron)
Environmental & Electrical	
Operating Temperature / Humidity	-30°C ~ +55°C (-22°F ~ +131°F) / Less than 90% RH * Start up should be done at above -10°C
Certification	IP66, IK10
Input Voltage	24VAC, 12VDC
Power Consumption	Max 5.8W
Mechanical	
Color / Material	Dark Grey / Aluminum
Product Dimensions / Weight	Ø78.0x259.8mm(Ø3.07"x10.23"), 914g(2.02 lb)

- The latest product information / specification can be found at hanwha-security.com
- Design and specifications are subject to change without notice.
- Wisenet is the proprietary brand of Hanwha Techwin, formerly known as Samsung Techwin.



UNIT : mm [inch]
SCALE : 1/1