

# HCO-7020RA

QHD (4MP) Analog IR Bullet Camera



## Key Features

- QHD (2560 x 1440, 30fps) resolution
- 0.27 Lux@F2.0 (Color), 0 Lux (B/W : IR LED on)
- Built-in 4.0mm fixed lens
- Day & Night (ICR), DWDR, Motion detection
- IR Viewable Length 25m
- Transmission distance max.500m
- Easy installation (Plug & play), IP66, IK10

## Compatible Accessories (Optional)



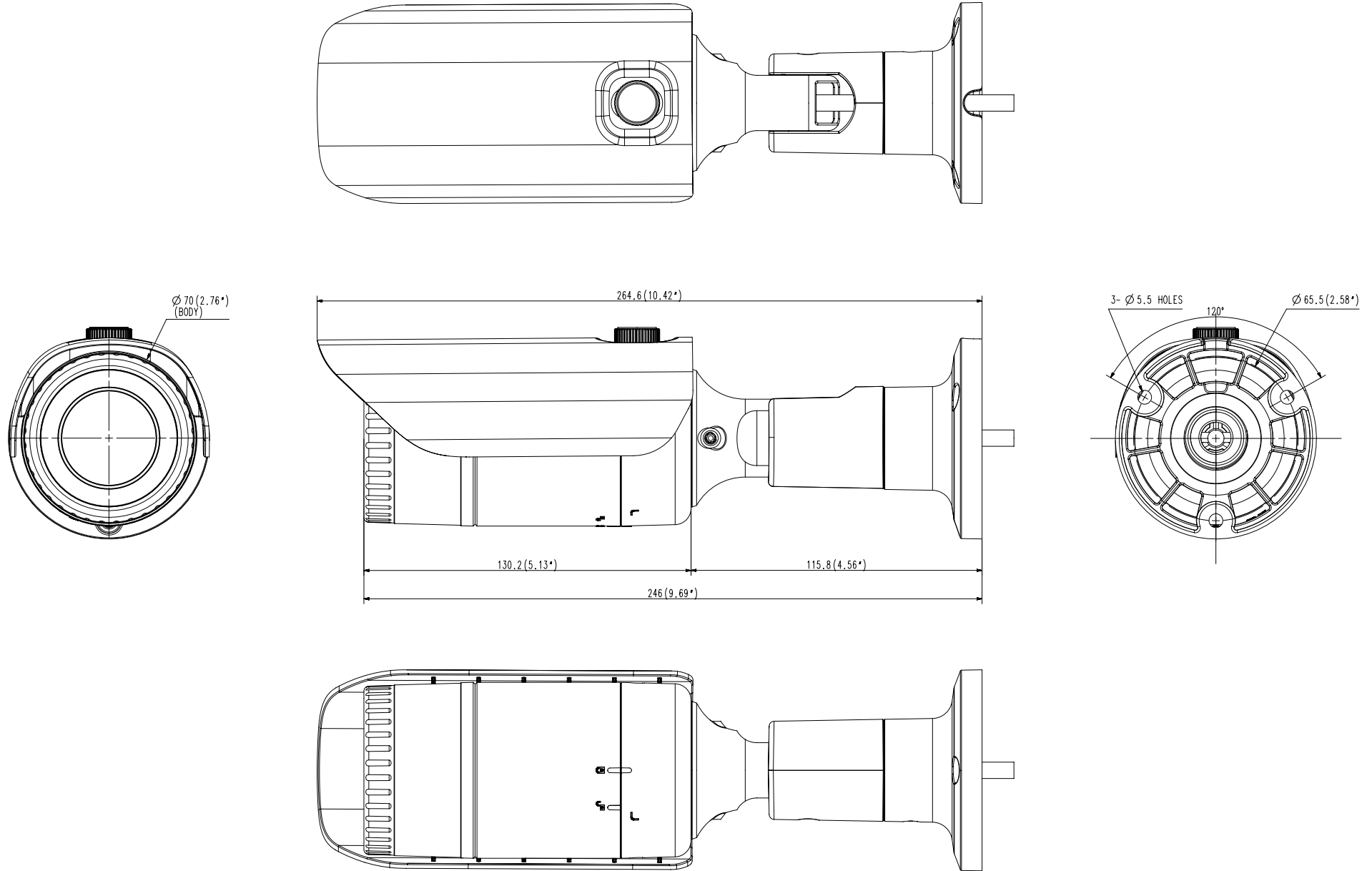
SBO-100B1



SBP-302PM

| <b>Video</b>                          |   |
|---------------------------------------|---|
| Imaging Device                        | 1/3" 4MP CMOS   |
| Resolution                            | 2560x1440   |
| Max. Framerate                        | 30fps@4M(N), 25fps@4M(P)  |
| Min. Illumination                     | Color: 0.27Lux(F2.0, 1/30sec)<br>BW: 0Lux(IR LED on)  |
| Video Out                             | BNC(AHD), additional CVBS for installation(2Pin connector type)                               |
| Video Transmission Distance           | 500m(5C2V Coaxial Cable)  |
| <b>Lens</b>                           |   |
| Focal Length (Zoom Ratio)             | 4.0mm fixed   |
| Max. Aperture Ratio                   | F2.0  |
| Angular Field of View                 | H: 78.22, V: 41.21, D: 87.91  |
| Min. Object Distance                  | 0.5m(1.64ft)  |
| <b>Operational</b>                    |   |
| Day & Night                           | Auto(ICR)   |
| Backlight Compensation                | UserBLC, HLC, DWDR  |
| Digital Noise Reduction               | 2DDNR   |
| Motion Detection                      | 4 zones   |
| Privacy Masking                       | 2 zones   |
| Gain Control                          | Low / Middle / High / Very High   |
| White Balance                         | ATW / AWC / Manual / Indoor / Outdoor   |
| Electronic Shutter Speed              | 1/30 ~ 1/12,000sec(N), 1/25~ 1/12,000sec(P)   |
| Video Rotation                        | H-Rev/V-Rev   |
| Analytics                             | Motion detection  |
| IR Viewable Length                    | 25m(82.02ft)  |
| Coaxial Protocol                      | ACP(AHD Coax Protocol), CVBS: Pelco-C(Coaxitron)  |
| <b>Environmental &amp; Electrical</b> |   |
| Operating Temperature / Humidity      | -30°C ~ +55°C (-22°F ~ +131°F) / Less than 90% RH<br>* Start up should be done at above -10°C |
| Certification                         | IP66, IK10  |
| Input Voltage                         | 12VDC   |
| Power Consumption                     | Max 5W  |
| <b>Mechanical</b>                     |   |
| Color / Material                      | Dark Gray / Aluminum  |
| Product Dimensions / Weight           | Ø70.0 x 246.0mm(Ø2.76"x9.69"), 670g(1.48 lb)  |

- The latest product information / specification can be found at [hanwha-security.com](http://hanwha-security.com)
- Design and specifications are subject to change without notice.
- Wisenet is the proprietary brand of Hanwha Techwin, formerly known as Samsung Techwin.



A2

| UNIT  | mm<br>(inch) | DESIGN   | CHECK    | APPROVAL | PART<br>NAME  | -                     |
|-------|--------------|----------|----------|----------|---------------|-----------------------|
| SCALE | 1/1          | HTW      | -        | -        | MODEL<br>NAME | HCO-7010R/7020R/7030R |
|       |              | 17.07.26 | 17.07.26 | 17.07.26 | CODE NO.      | 049964                |

Hanwha Techwin