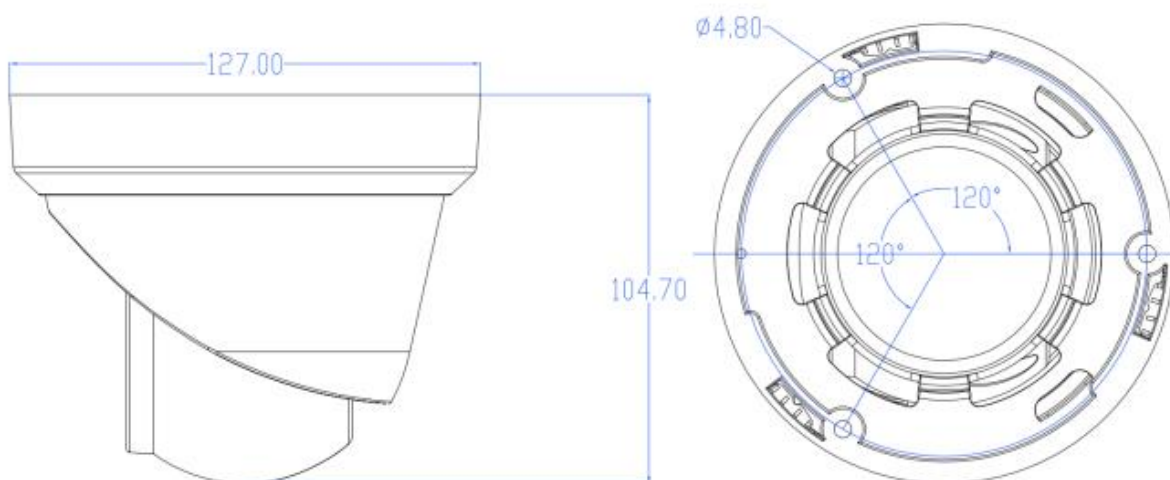
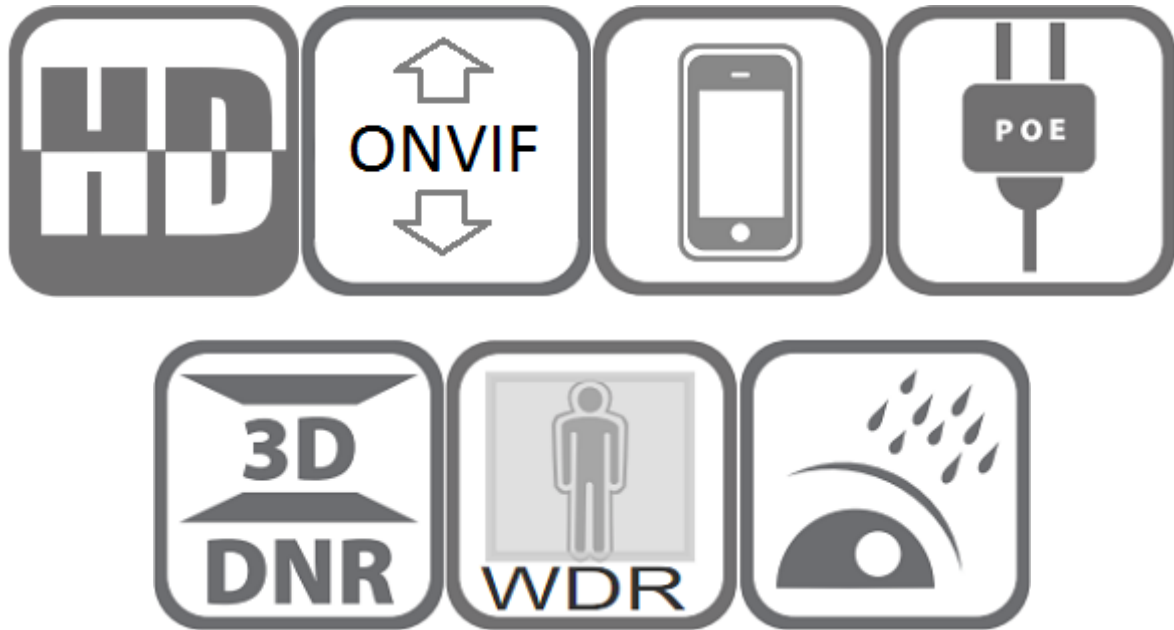


6MP ColorVu Fixed Turret Dome IP Camera

Model: SST-DVL-SAM1





Features:

- ❖ 1/2.8" Sony IMX335 CMOS sensor
- ❖ Full HD resolution 6MP@3072 x 2048P
- ❖ Ultra low illumination 0.001Lux
- ❖ Day/Night (ICR), AWB, AGC, BLC, 2D/3D-DNR, IR-CUT
- ❖ D-WDR, Motion Detection, Privacy Mask, Mirror
- ❖ RTSP and Onvif 17.06 compatible
- ❖ H.265/H.264 dual-stream media server
- ❖ Easy-to-use P2P Cloud service
- ❖ Multi web browser, PC Client, mobile APP remote access
- ❖ **Built in Microphone optional**
- ❖ Lightning protection 4000V
- ❖ Strong water-proof housing, IP67
- ❖ 2PCS Soft & Warm Supplemental Light, Light distance:25-30M
- ❖ HD 2.8mm F1.0 true starlight lens

Technical Specifications:

Model	SST-DVL-SAM1
Camera	
Image Sensor	1/2.8" SONY IMX335 CMOS
Effective Pixels	6 megapixels
Electronic Shutter	AUTO
Min. Illumination	0.01Lux@F1.2(AGC ON), 0Lux IR on
Day/Night	Auto/Color/(B/W)/Timing
WDR	Digital WDR
White Balance	Auto/Manual
BLC	Support
DNR	2D/3D DNR
Other	Multi-lines OSD, Motion Detection, Privacy Mask, Mirror
Encode	
Embedded Solution	Mstar 30KQ
Video Standard	H.264/H.265
Video Resolution	Main Stream: 25fps@6MP(3072*2048)/5MP(2592x1944)/4MP(2592x1520)/3MP, 30fps@1080P/720P Sub stream: 25fps@D1/VGA/360P/CIF, etc.
Video Bitrates	512Kbps - 10Mbps, VBR/CBR
Audio Standard	G.711-u/G.711-a
Built-in Mic	Yes
OSD Overlay	Title and Time overlay
IR Led	
IR Led	2PCS Soft & Warm Supplemental Light
IR Distance	25-30 M
Lens	
Focal length	HD 2.8mm F1.0 true starlight lens
Optional Function	
POE, Audio, etc.	
Network Services	
Protocol	HTTP/RTSP/FTP/NFS/SMTP/DHCP/NTP, etc.
P2P	Yes
Web	IE , Firefox 32bit ESR, etc.
Media	CMS, Android, IOS
ONVIF	17.06 compatible
General	
Network Port	1-RJ45, 100Mbps, POE optional
Power Supply	12 VDC ± 10%
Power Consumption	< 5 W
Operating Temp.	-30°C-(+60)°C, 10%-90%RH