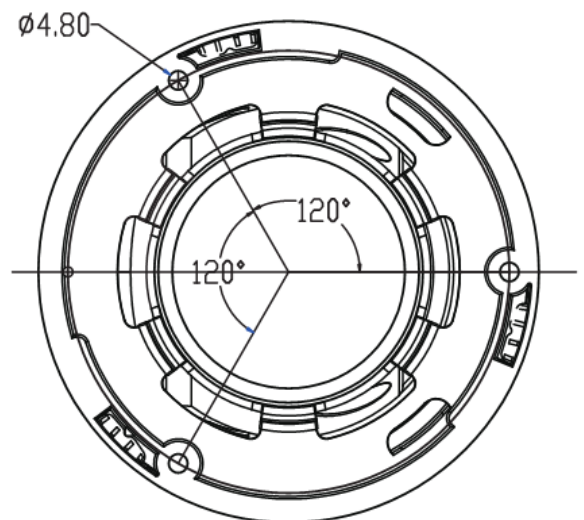
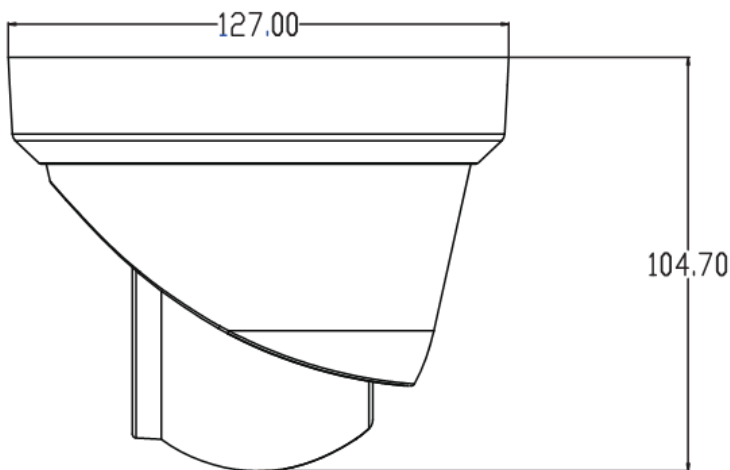
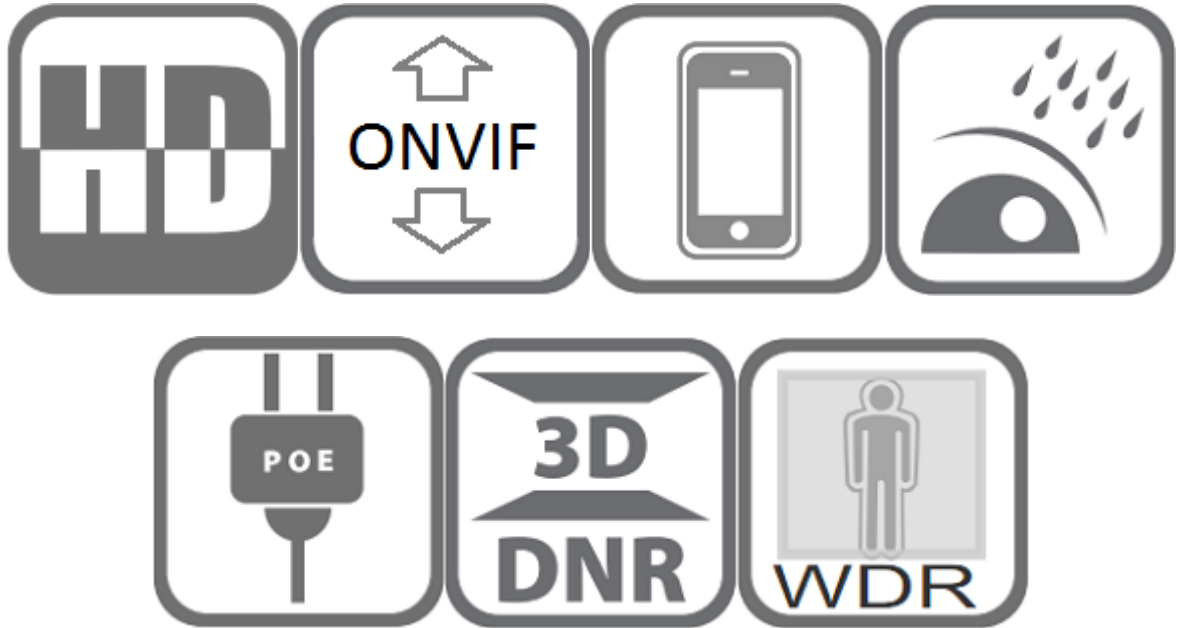


Model: SST-DVL-XAZ8

4K 8MP ColorVu turret ip camera with two way audio and SD card slot





Features:

- ❖ 1/2.8" Sony CMOS sensor
- ❖ 4K resolution 3840 x 2160P
- ❖ Illumination 0.01Lux
- ❖ Day/Night (ICR), AWB, AGC, BLC, 2D/3D-DNR, IR-CUT
- ❖ D-WDR, Motion Detection, Privacy Mask, Mirror
- ❖ RTSP and Onvif 17.06 compatible
- ❖ H.265/H.264 dual-stream media server
- ❖ Easy-to-use P2P Cloud service
- ❖ Multi web browser, PC Client, mobile APP remote access
- ❖ **Two way audio, Built in Microphone and Speaker ,with SD card slot(support up to 256GB SD card)**
- ❖ **Support audio alarm to warn intruders off**
- ❖ Lightning protection 4000V
- ❖ Strong water-proof housing, IP67
- ❖ 2PCS Soft & Warm Supplemental Light,Light distance:25-30M
- ❖ HD 2.8mm F1.0 true lens
- ❖ With reset button

Technical Specifications:

Model	SST-DVL-XAZ8
Camera	
Image Sensor	1/2.8" SONY IMX415 CMOS
Effective Pixels	3840 (H) × 2160 (V)
Electronic Shutter	AUTO, 1/25s ~ 1/100000s
Min. Illumination	0.001Lux@F1.2(AGC ON), 0Lux IR on
Day/Night	Auto/Color/(B/W)/Timing
WDR	Digital WDR
White Balance	Auto/Indoor/Outdoor
BLC	Support
DNR	2D/3D DNR
Other	Human body and Vehicle detection ,Motion Detection, Privacy Mask, Mirror, flip
Encode	
Embedded Solution	SSC338Q
Video Standard	H.264/H.265
Video Resolution	Main Stream:20fps@8MP(3840x2160),30fps@6MP(3072x2048)/5MP(2592x1944) /4MP/3MP/1080P/720P,etc. Sub stream: 720x480/VGA(640x480)/360P/QVGA@30fps,etc.
Video Bitrates	512Kbps - 12Mbps, VBR/CBR
Audio Standard	G.711-u/G.711-a
OSD Overlay	Title and Time overlay
LedS	
Leds	2PCS Soft & Warm Supplemental Light
Light Distance	25-30 M
Lens	
Focal length	HD 2.8mm F1.0 true lens
Functions	
Two way audio, Built in Microphone and Speaker ,with SD card slot(support up to 256GB SD card)	
Network Services	
Protocol	HTTP/RTSP/FTP/NFS/SMTP/DHCP/NTP, etc.
P2P	Yes
Web	IE , Firefox, etc.
Media	CMS, Android, IOS
ONVIF	17.06 compatible
General	
Network Port	1-RJ45, 100Mbps
Power Supply	POE ,12 VDC ± 10%
Power Consumption	< 8 W
Operating Temp.	-30℃-(+60)℃, 10%-90%RH