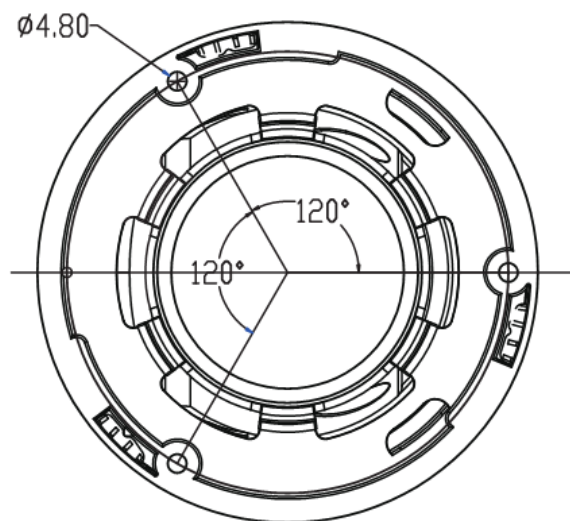
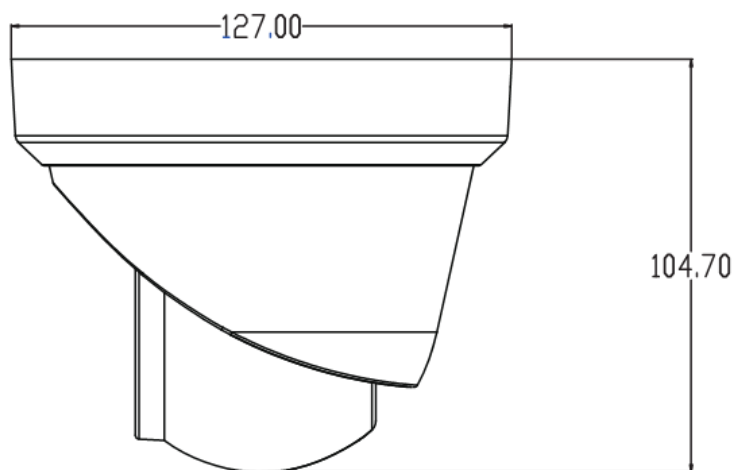
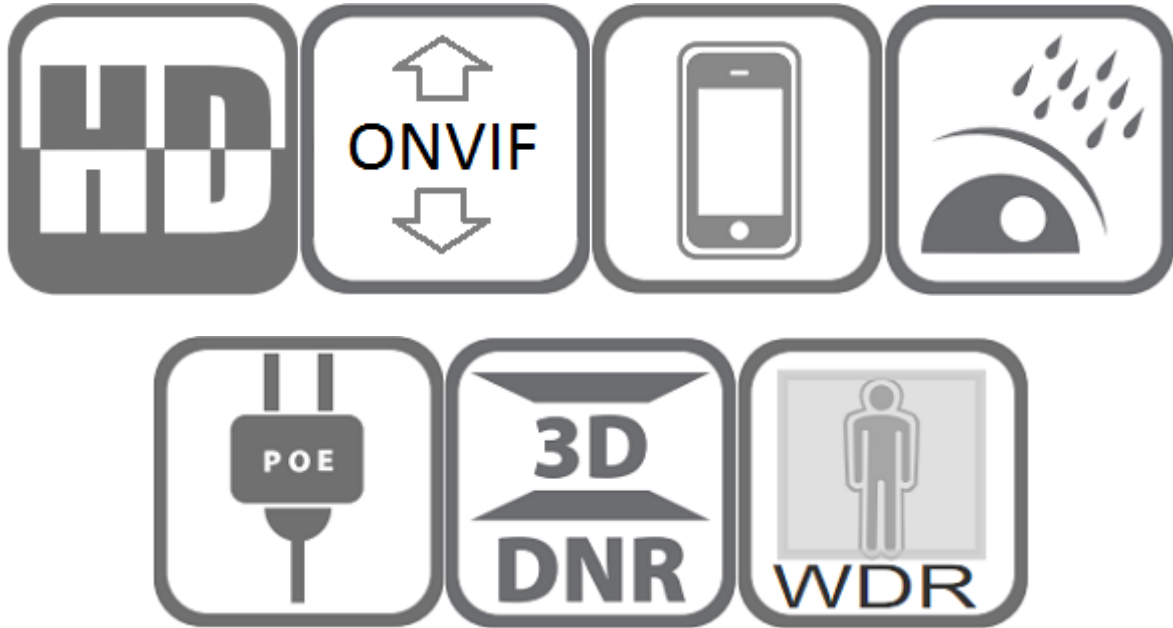


6MP Dual Lights Two way audio Dome IP POE Camera IP66

Model: SST-DVL-XZL6





Features:

- ❖ 1/2.8" Sony IMX335 CMOS sensor
- ❖ Resolution 3072x2048P
- ❖ Illumination 0.001Lux
- ❖ Day/Night (ICR), AWB, AGC, BLC, 2D/3D-DNR, IR-CUT
- ❖ D-WDR, Motion Detection, Privacy Mask, Mirror
- ❖ RTSP and Onvif 17.06 compatible
- ❖ H.265/H.264 dual-stream media server
- ❖ Easy-to-use P2P Cloud service
- ❖ Multi web browser, PC Client, mobile APP remote access
- ❖ Internal Microphone, reset button optional
- ❖ Lightning protection 4000V
- ❖ RJ45 100mbps network port, IEEE802.3af PoE
- ❖ Strong water-proof housing, IP67
- ❖ 2 pcs Warm Light + 2 pcs IR LEDs, Light distance:25-30M
- ❖ HD 2.8mm F1.6 lens
- ❖ Human body detection
- ❖ Two-way Audio & SD slot

Technical Specifications:

| | |
|-------------------------|---|
| Model | SST-DVL-XZL6 |
| Camera | |
| Image Sensor | 1/2.8" IMX335 CMOS |
| Effective Pixels | 3072x2048P |
| Electronic Shutter | AUTO, 1/25s ~ 1/100000s |
| Min. Illumination | 0.001Lux@F1.2(AGC ON), 0Lux IR on |
| Day/Night | Auto/Color/(B/W)/Timing |
| WDR | Digital WDR |
| White Balance | Auto/Indoor/Outdoor |
| BLC | Support |
| DNR | 2D/3D DNR |
| Other | Motion Detection, Privacy Mask, Mirror, flip |
| Encode | |
| Embedded Solution | SSC30KQ |
| Video Standard | H.264/H.265 |
| Video Resolution | Main Stream: 25fps@6MP(3072x2048)/5MP(2592x1944), 30fps@4MP/3MP/1080P/720P Sub stream: 30fps@D1/VGA/360P/CIF, etc. |
| Video Bitrates | 32Kbps - 8Mbps, VBR/CBR |
| Audio Standard | G.711-u/G.711-a |
| OSD Overlay | Title and Time overlay |
| LedS | |
| Leds | 2 pcs Warm Light+2 pcs IR LEDs |
| Light Distance | 25-30 M |
| Lens | |
| Focal length | HD 2.8mm F1.6 lens |
| Network Services | |
| Protocol | HTTP/RTSP/FTP/NFS/SMTP/DHCP/NTP, etc. |
| P2P | Yes |
| Web | IE , Firefox, etc. |
| Media | CMS, Android, IOS |
| ONVIF | 17.06 compatible |
| General | |
| Network Port | 1-RJ45, 100Mbps, |
| Power Supply | IEEE802.3af PoE, 12 VDC ± 10% |
| Power Consumption | < 8 W |
| Operating Temp. | -30°C-(+60)°C, 10%-90%RH |