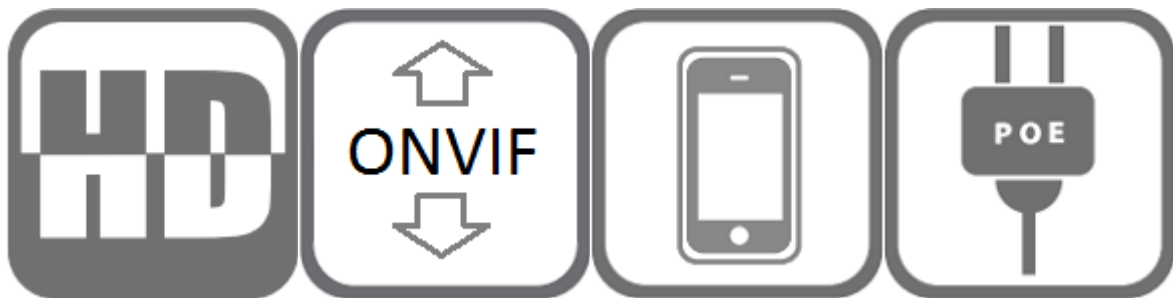
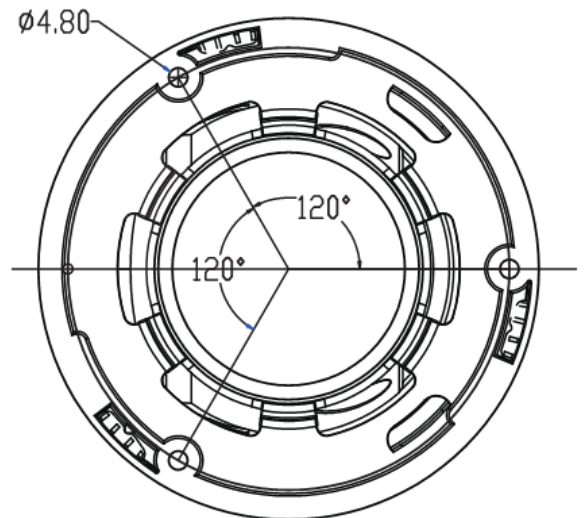
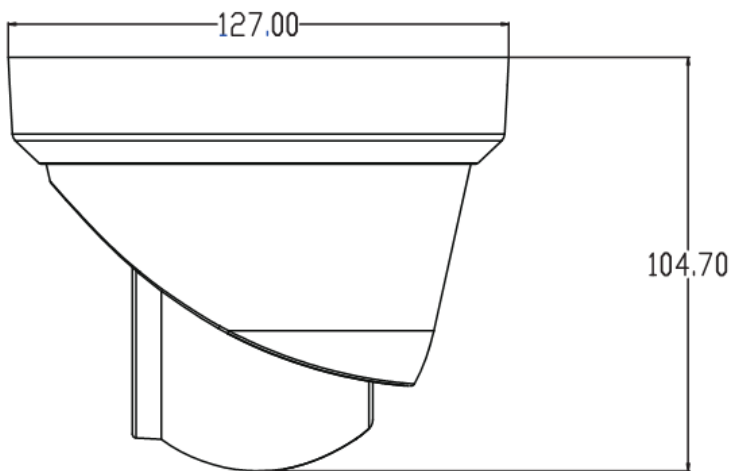


Model: SST-DVL-SOL5

5MP VCA Smart AI turret IP camera





Features:

- 1/2.7" 5MP CMOS sensor
- 5MP HD resolution 2880*1620@25fps Smart encoding
- Ultra low illumination 0.01Lux
- 2-Exposure Line WDR upto 100dB
- Scenes switching, Day/Night (ICR), AWB, 2D/3D-DNR, Rotation 90°
- Slow Shutter, light control, White Balance, Defog
- OSD , Privacy Mask, ROI, Watermark
- Smart Intelligent Cross Line, Enter Area, Leave Area, Intrusion, People Flow Counting, Crowd Density Monitoring
- RTSP and Onvif 17.06 compatible
- Common event Motion Detection, Tampering Alarm, Audio Detection
- H.265/H.264 three-stream media server
- Easy-to-use P2P Cloud service
- Multi web browser, PC Client, mobile APP remote access
- RJ45 100mbps network port, IEEE802.3af PoE
- Lightning protection 4000V
- Strong water-proof housing, IP67
- 18 pcs SMD IR Led, IR distance 20-30 meters
- HD 2.8/3.6 mm fixed lens optional
- **Support human body and Vehicle detection**

Technical Specifications:

Model	SST-DVL-SOL5
Camera	
Image Sensor	1/2.7" 5MP CMOS
Effective Pixels	2888H x 1628V
Electronic Shutter	AUTO, 1/25s ~ 1/100000s
Min. Illumination	0.01Lux@F1.2(AGC ON), 0Lux IR on

Day/Night	Auto/Color/(B/W)/Timing
WDR	2-Exposure Line WDR upto 100dB
White Balance	Auto/Manual
AGC/BLC/HLC	Support
DNR	2D/3D DNR
Other	Multi-lines OSD, Privacy Mask, ROI, Watermark, Low Shutter, Scenes
Encode	
Video Standard	H.264/H.265
Video Resolution	Main Stream: 25fps@5MP(2880x1620)/4MP(2560x1440), 30fps@3MP(2304x1296)/1080P Sub stream: 30fps@720P/D1/640x360/CIF Third stream: D1, 640x360,CIF
Video Bitrates	128kbps – 6144kbps, VBR/CBR
Audio Standard	G.711-u/G.711-a
Built-in Mic	Yes
Intelligent Detection	Human Detection, Vehicle Detection Cross Line, Enter Area, Leave Area, Intrusion, People Flow Counting, Crowd Density Monitoring
IR Led	
IR Led	18 pcs SMD IR Leds
IR Distance	20-30 M
Lens	
Focal length	2.8/3.6 mm fixed Lens optional
Optional Function	
Built in Microphone	
Network Services	
Protocol	HTTP(s)/IPv6/TCP/UDP/RTP/RTSP/FTP/SMTP/DDNS/DHCP/PPPoE/NTP, etc.
P2P	Yes
Web	IE, Firefox, Chrome, Edge, Safari, etc.
Media	CMS, Android, IOS
ONVIF	17.06 compatible
General	
Network Port	POE ,1-RJ45, 100Mbps
Power Supply	12 VDC ± 10%
Power Consumption	< 5 W
Operating Temp.	-30°C-(+60)°C, 10%-90%RH