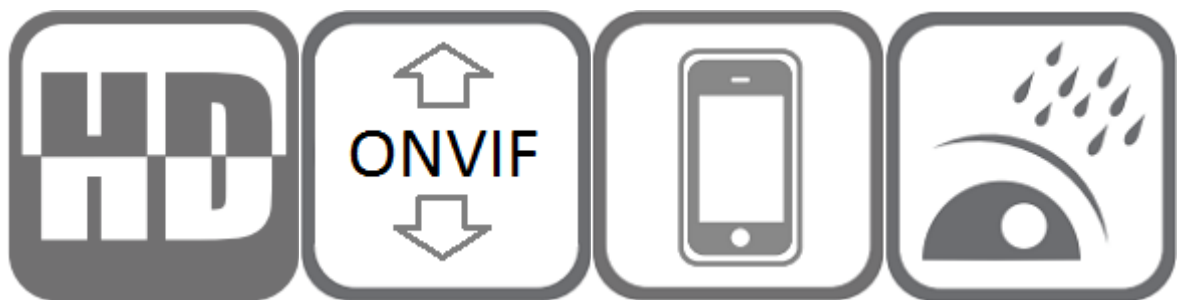
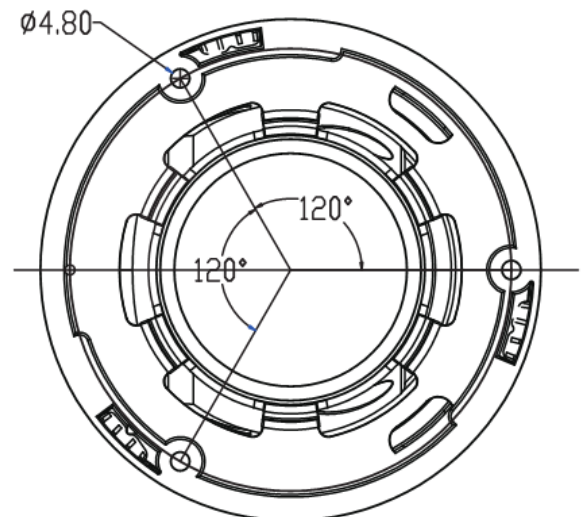
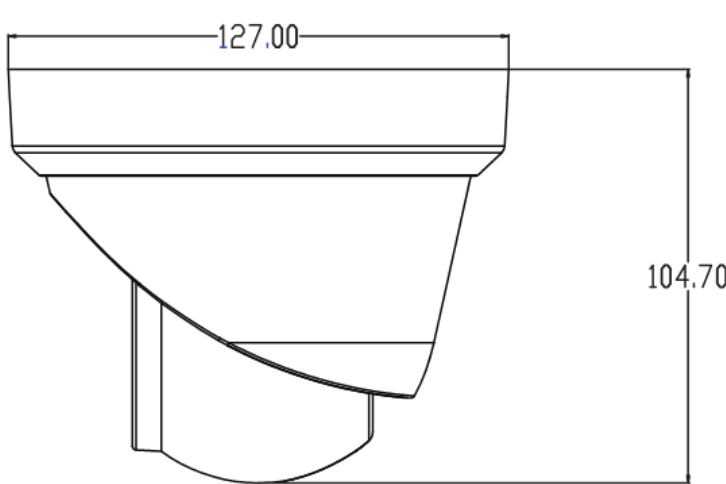
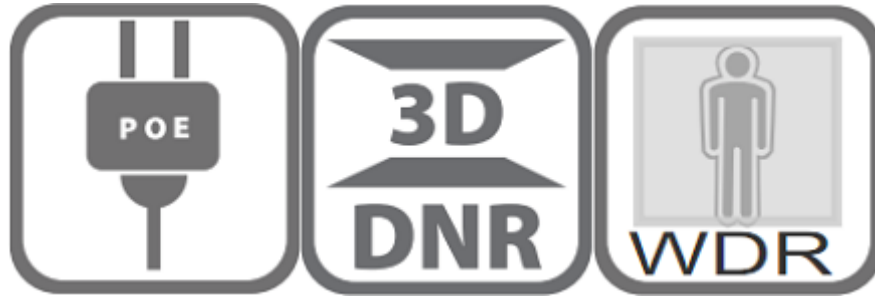


Model: SST-DVL-VOL5

5MP ColorVu VCA Smart AI turret IP Camera





## Features:

- 1/2.7" 5MP CMOS sensor
- 5MP HD resolution 2880\*1620@25fps Smart encoding
- Ultra low illumination 0.01Lux
- 2-Exposure Line WDR upto 100dB
- Scenes switching, Day/Night (ICR), AWB, 2D/3D-DNR, Rotation 90°
- Slow Shutter, light control, White Balance, Defog
- OSD , Privacy Mask, ROI, Watermark
- Smart Intelligent Cross Line, Enter Area, Leave Area, Intrusion, People Flow Counting, Crowd Density Monitoring
- RTSP and Onvif 17.06 compatible
- Common event Motion Detection, Tampering Alarm, Audio Detection
- H.265/H.264 three-stream media server
- Easy-to-use P2P Cloud service
- Multi web browser, PC Client, mobile APP remote access
- RJ45 100Mbps network port, IEEE802.3af PoE
- Lightning protection 4000V
- Strong water-proof housing, IP67
- 2PCS Soft & Warm Supplemental Light, Light distance:25-30M
- HD 2.8mm F1.0 true starlight lens

## Technical Specifications:

<b>Model</b>	<b>SST-DVL-VOL5</b>
<b>Camera</b>	
Image Sensor	1/2.7" 5MP CMOS
Effective Pixels	2888H x 1628V
Electronic Shutter	AUTO, 1/25s ~ 1/100000s

Min. Illumination	0.01Lux@F1.2(AGC ON), 0Lux IR on
Day/Night	Auto/Color/(B/W)/Timing
WDR	2-Exposure Line WDR upto 100dB
White Balance	Auto/Manual
AGC/BLC/HLC	Support
DNR	2D/3D DNR
Other	Multi-lines OSD, Privacy Mask, ROI, Watermark, Low Shutter, Scenes
<b>Encode</b>	
Video Standard	H.264/H.265
Video Resolution	Main Stream: 25fps@5MP(2880x1620)/4MP(2560x1440), 30fps@3MP(2304x1296)/1080P Sub stream: 30fps@720P/D1/640x360/CIF Third stream: D1, 640x360,CIF
Video Bitrates	128kbps – 6144kbps, VBR/CBR
Audio Standard	G.711-u/G.711-a
Built-in Mic	Yes
<b>Intelligent Detection</b>	<b>Human Detection, Vehicle Detection</b> <b>Cross Line, Enter Area, Leave Area, Intrusion, People Flow Counting, Crowd Density Monitoring</b>
<b>Leds and distance</b>	
Leds	2PCS Soft & Warm Supplemental Lights
light distance	25-30 M
<b>Lens</b>	
Focal length	HD 2.8mm F1.0 true starlight lens
<b>Optional Function</b>	
Built in Microphone optional	
<b>Network Services</b>	
Protocol	HTTP(s)/IPv6/TCP/UDP/RTP/RTSP/FTP/SMTP/DDNS/DHCP/PPPoE/NTP, etc.
P2P	Yes
Web	IE, Firefox, Chrome, Edge, Safari, etc.
Media	CMS, Android, IOS
ONVIF	17.06 compatible
<b>General</b>	
Network Port	POE ,1-RJ45, 100Mbps
Power Supply	12 VDC ± 10%
Power Consumption	< 5 W
Operating Temp.	-30°C-(+60)°C, 10%-90%RH