

Digital Video Recorder



Key Features

- Support H.265/H.264 video formats
- Support audio over coaxial cable(only for TVI cameras)
- Support TVI, AHD, CVI, CVBS, IP cameras with adaptive access
- 8-channel BNC input
- Support 1-ch HDMI output, 1-ch VGA output at up to 1920*1080
- Long transmission distance over coaxial cable
- Support mainstream cameras of ONVIF and RTSP protocols

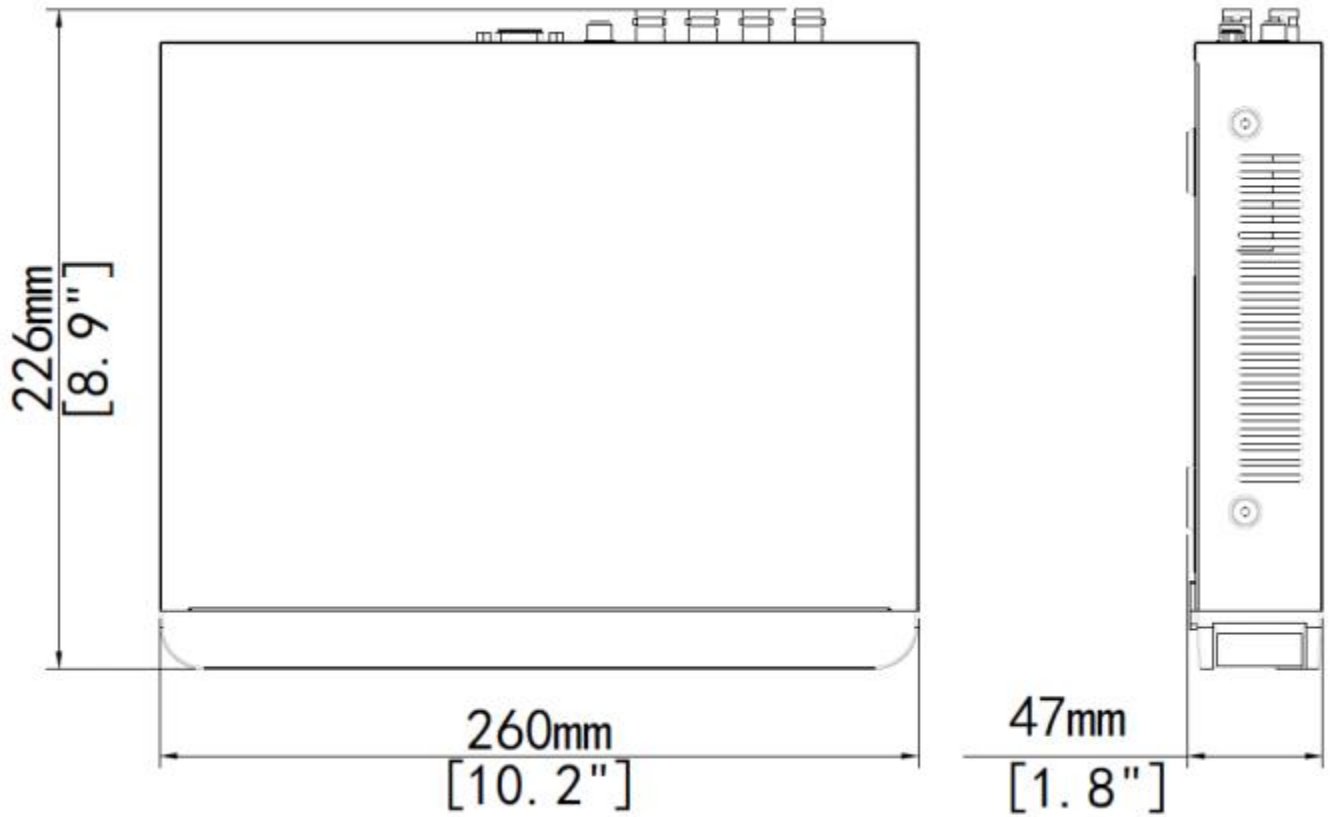
Specifications

Model	SST-XVR-U-NEX5-8CH
Video/Audio Input	
Analog Video Input	8-ch, BNC
IP Video Input	4-ch(only IP up to 8ch), each channel up to 4MP
Supported Analog Camera Types	Support AHD input: 5MP@12fps 4MP@15fps 1080P@30fps 720P@30fps Support TVI input: 5MP@12fps 4MP@15fps 1080P@30fps 720P@30fps Support CVI input: 1080P@30fps

	720P@30fps Support CVBS input	
Audio Input	1-ch, RCA	
Audio Compression	G.711U	
Video/Audio Output		
VGA Output	1920x1080p/60Hz, 1920x1080p/50Hz, 1600x1200/60Hz, 1280x1024/60Hz, 1280x720/60Hz, 1024x768/60Hz	
HDMI Output	1920x1080p/60Hz, 1920x1080p/50Hz, 1600x1200/60Hz, 1280x1024/60Hz, 1280x720/60Hz, 1024x768/60Hz	
Audio Output	1-ch, RCA	
Synchronous Playback	HD:4-ch SD:8-ch	
Live view display	HDMI/VGA: 1/4/6/8/9/16	
Two-way Audio	1-ch, RCA	
Snapshot		
FTP/Schedule/Event Snapshot	Schedule snapshot is not supported 8-ch snapshot, up to 704*576 resolution	
Network		
Incoming Bandwidth	32Mbps (Up to 40Mbps after all analog channel conversion)	
Outgoing Bandwidth	64Mbps	
Remote Users	128	
Protocols	TCP/IP, P2P, UPnP, DHCP, HTTP, HTTPS, DNS, DDNS, SMTP	
Browser	IE(IE10/11) for Windows Firefox (version 52.0 and above) for Windows Chrome(version 45 and above) for Windows Edge(version 79 and above) for Windows	
Encoding		
Recording Resolution	5MP Lite/4MP Lite/1080P/720P/CIF	5MP Lite/4MP Lite /1080P Lite/720P/CIF
Recording Frame Rate	Main stream: 5MP Lite@6fps	Sub stream: D1@6fps
	4MP Lite@8fps	D1@8fps
	1080P Lite@12fps	D1@12fps
	720P@12fps	D1@12fps

Audio Sample Rate	8KHz,16 bit per channel
Audio Bit Rate	64Kbps per channel
Decoding	
Capability	Analog: 4 x 5MP Lite@6,4x 4MP Lite@8, 4x 1080P Lite @12fps IP: 1 x 4MP@30, 2 x 1080P@30
Hard Disk	
SATA	1 SATA interface
Capacity	Up to 8TB for each HDD (The maximum HDD capacity varies with environment temperature)
Smart Alarm	
VCA Detection	Ultra Motion Detection(UMD) for analog:4-ch
VCA Search	Behavior Search
General Alarm	
General Alarm	Motion detection
Alert Alarm	IP Conflict, Network Disconnected, Disk offline, Disk Abnormal, Illegal Access, Hard Disk Space Low, Hard Disk Full, Recording/Snapshot Abnormal
External Interface	
Network Interface	1 RJ45 10M/100M self-adaptive Ethernet Interface
USB Interface	Rear panel: 2 x USB2.0
General	
Power Supply	12V DC Power Consumption: ≤ 8 W(without HDD)
Working Environment	-10°C ~ + 55°C (+14°F ~ +131°F), Humidity ≤ 90% RH(non-condensing)
Dimensions(W×D×H)	260mm ×226mm× 47mm (10.2" × 8.9"×1.8")
Weight (without HDD)	≤1.1 Kg (2.42lb)
Certification	
Certification	UL CE FCC RoHS WEEE

Dimensions



Rear Panel

Take XVR3108-G3 for example

