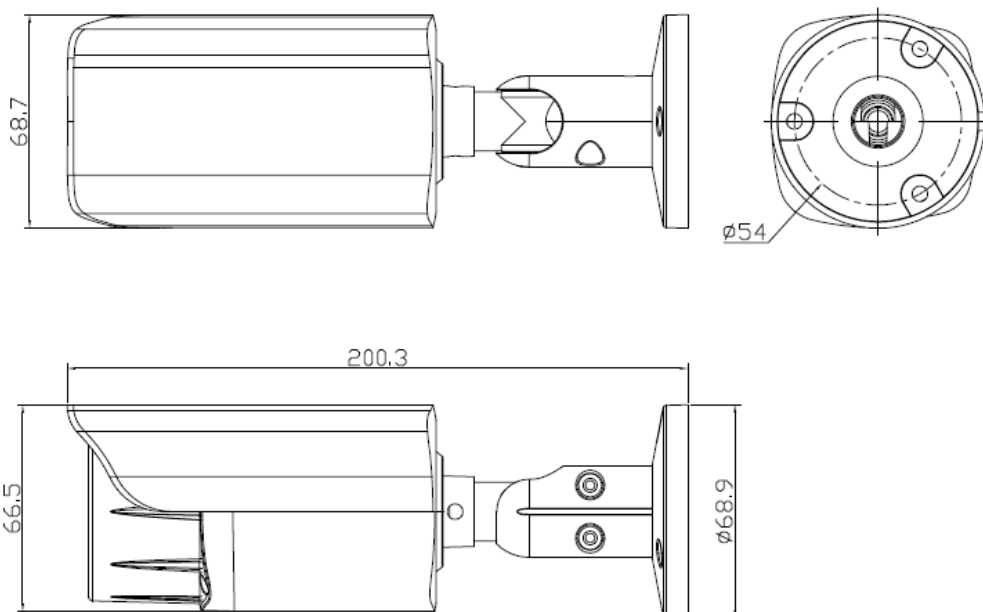
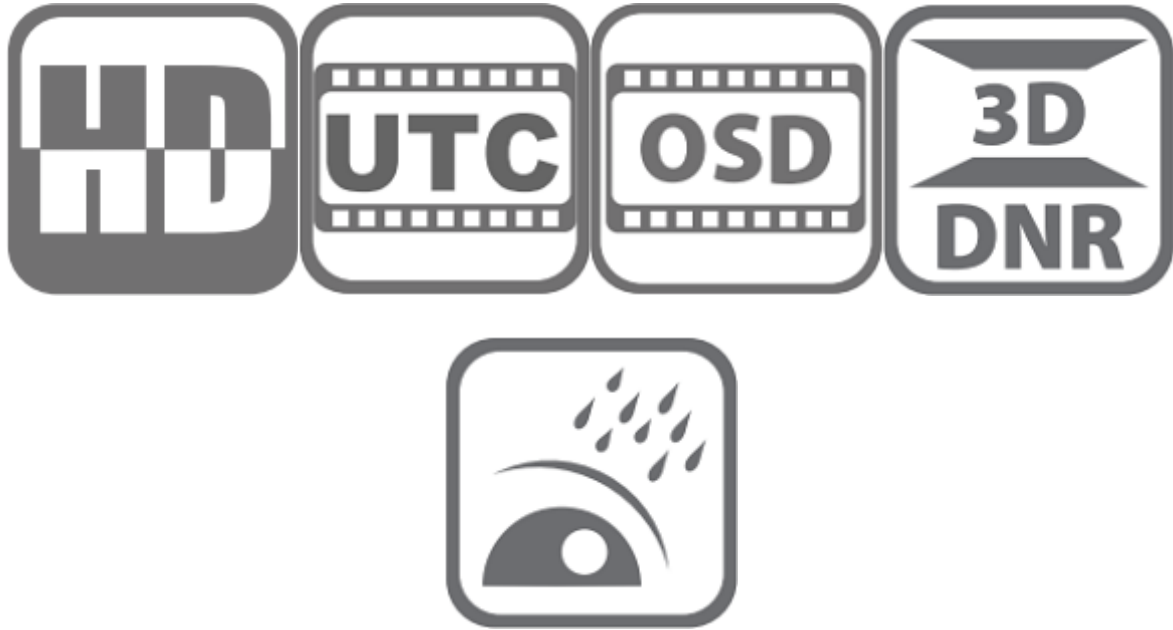


**Model: SST-COL-B2-5M**

## 5MP Color View Bullet 4 in 1 Camera





## Features:

- ❖ 4-in-1 HDTV/HDCVI /AHD / CVBS optional output
- ❖ UHD resolution 20fps@2560×1944P CMOS sensor
- ❖ Ultra low illumination 0.05Lux
- ❖ Built-in mic
- ❖ Up to 300M long distance and high speed real time monitoring
- ❖ OSD menu control up the coaxial cable (UTC)
- ❖ Low light and perfect night vision
- ❖ Day/Night (ICR), AWB, AGC, DNR
- ❖ Lightning protection
- ❖ Strong water-proof housing, IP66
- ❖ 2 pcs warm lights, distance 20-30 meters
- ❖ 2.8mm Fixed Lens

## Technical Specifications:

|                    |  |
|--------------------|--|
| <b>Model</b>       | <b>SST-COL-B2-5M</b>   |
| <b>Camera</b>      |  |
| Image Sensor       | 1/2.7" CMOS  |
| Chipset            | FH8538E+SSC501AI   |
| Effective Pixels   | 2592(H)×1944 (V)   |
| Video Resolution   | TVI/AHD: 20 fps@2560×1944P, CVI 30 fps@2560×1440P, adjustable  |
| Electronic Shutter | AUTO, 1/25 - 1/50,000s   |
| Min. Illumination  | 0.05Lux@F1.2(AGC ON), 0Lux IR on                               |
| Video System       | PAL/NTSC   |
| Video Output       | 1 channel, HDCVI / HDTV/ AHD/ CVBS , adjustable                |
| Video Switch       | DIP switch   |
| Day/Night          | Auto/Color/(B/W)/EXT   |
| White Balance      | ATW/Manual   |
| DNR                | 2D NR  |
| OSD Menu           | Multiple languages OSD menu control up the coaxial cable (UTC) |
| Other              | Built-in Mic (TVI)   |
| <b>IR Led</b>      |  |
| Warm Led           | 2 pcs warm lights  |
| Distance           | 20-30 M  |
| <b>Lens</b>        |  |
| Focal length       | 2.8mm fixed lens   |
| <b>General</b>     |  |
| Power Supply       | 12 VDC ± 10%   |
| Power Consumption  | < 5 W  |
| Operating Temp.    | -30°C-(+60)°C, 10%-90%RH                                       |