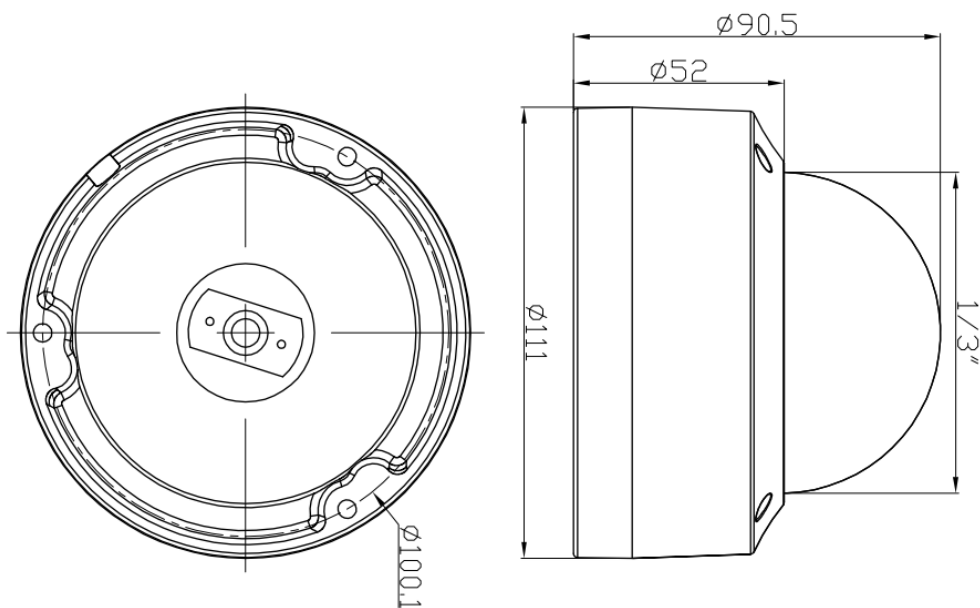


2MP Fixed Dome WIFI Camera With Internal MIC

Model: SST-WI-BBH-2M



Features:

- ❖ 1/2.8" Sony STARVIS CMOS sensor
- ❖ FHD resolution 1920 x 1080P
- ❖ Low illumination 0.001Lux
- ❖ Day/Night, AWB,2D/3D-DNR, IR-CUT, Mirror
- ❖ OSD Overlay, Privacy Mask, Motion Detection
- ❖ RTSP and Onvif compatible with many third-party NVR
- ❖ H.264/H.265 dual-stream media server
- ❖ Easy-to-use P2P Cloud service, QR code scan
- ❖ Support user authentication, video data encryption
- ❖ Support Alarm Snapshot to Email and FTP
- ❖ Multi web browser, PC Client, mobile APP remote access
- ❖ Built-in Mic
- ❖ Built-in Micro-SD slot, max. 128GB
- ❖ Integrated 2.4G b/g/n wireless with 3DB Wi-Fi antenna
- ❖ RJ45 100mbps network port for wire connection
- ❖ Rear cable attached RESET button
- ❖ Lightning protection 4000V
- ❖ Strong water-proof housing, IP66
- ❖ 18 pcs SMD IR Leds, IR distance 30 meters
- ❖ HD 2.8 mm fixed lens

Technical Specifications:

Model	SST-WI-BBH-2M
Camera	
Image Sensor	1/2.8" Sony IMX307 STARVIS CMOS
Effective Pixels	2 megapixels
Electronic Shutter	AUTO
Min. Illumination	0.001Lux@F1.2(AGC ON)
Day/Night	Auto/Color/(B/W)
System	PAL/NTSC
White Balance	Auto/Indoor/Outdoor
OSD Overlay	Yes
Image Mirror	Yes
Privacy Mask	Yes
Encode	
Video Standard	H.265/H.264
Video Resolution	Main Stream:18fps@1080P(PAL)/ 20fps@1080P(PAL) Sub Stream: 25/30fps@640x352
Video Bitrates	32Kbps - 6Mbps, VBR/CBR
Audio Standard	G.711/G.726
Audio Input	Built-in Mic
Audio Output	Built-in loudspeaker
Two-way Audio	Yes
IR Led	
IR Led	18pcs SMD IR Leds

IR Distance	30 M
Lens	
Focal length	2.8mm Fixed lens
Network Services	
Protocol	TCP/IP/HTTP/RTSP/FTP/SMTP/DHCP/NTP, etc.
P2P	Yes
Web	IE , Firefox, Chrome, Edge, Safari, etc. (flash video)
Media	CMS, Android, IOS
ONVIF	2.04 compatible
Alarm Event	Motion Detection, Email alert, snapshot FTP, SD Storage
General	
Network Port	1-RJ45, 100Mbps
Wireless	2.4G b/g/n external 3DB antenna
Reset Button	Yes
Power Supply	12 VDC \pm 10%
Power Consumption	< 10 W
Operating Temp.	-30°C-(+60)°C, 10%-90%RH