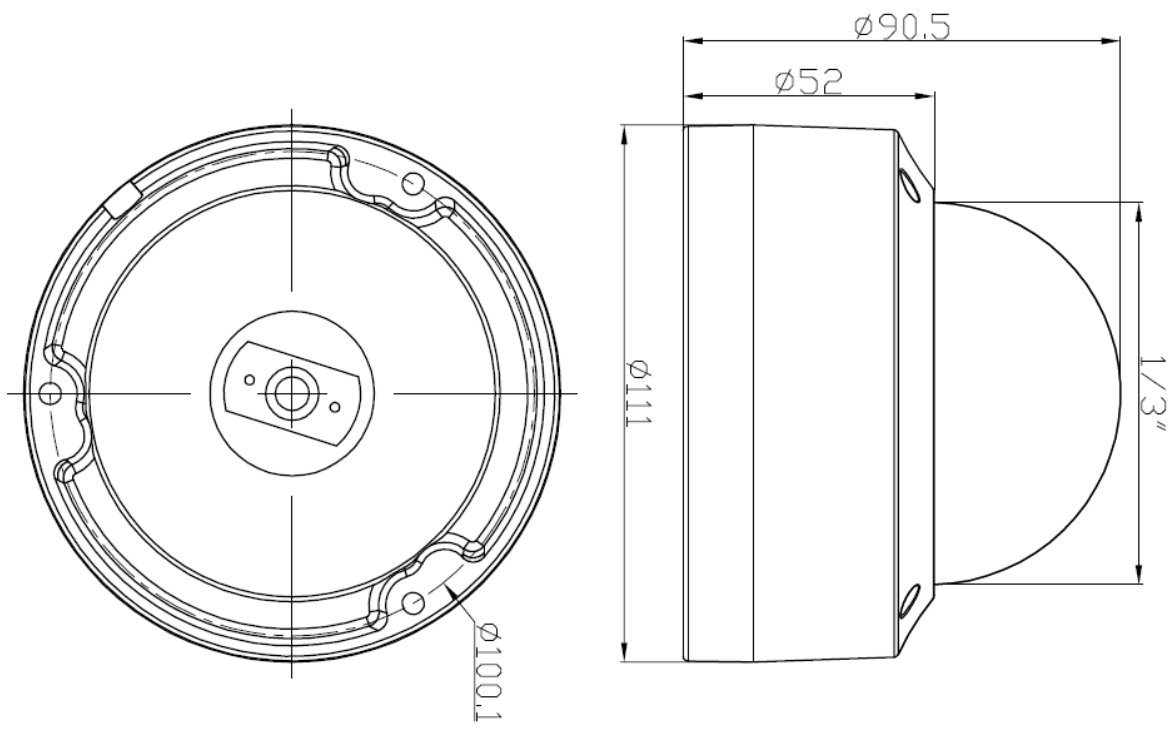


# 5MP Fixed Dome WIFI Camera With Human Body Detection

Model: SST-WI-BBH-5M



## Features:

- ❖ 1/2.8" Sony IMX335 CMOS sensor
- ❖ UHD resolution 2560 x 1920P
- ❖ Low illumination 0.01Lux
- ❖ Day/Night, AWB,2D/3D-DNR, IR-CUT, Mirror
- ❖ OSD Overlay, Privacy Mask, Motion Detection,Human detection
- ❖ RTSP and Onvif compatible with many third-party NVR
- ❖ H.264/H.265 dual-stream media server
- ❖ Easy-to-use P2P Cloud service, QR code scan
- ❖ Support user authentication, video data encryption
- ❖ Support Alarm Snapshot to Email and FTP
- ❖ Multi web browser, PC Client, mobile APP remote access
- ❖ One-way audio, built-in Mic
- ❖ Built-in Micro-SD slot, max. 128GB
- ❖ Integrated 2.4G b/g/n wireless with 3DB Wi-Fi antenna
- ❖ RJ45 100mbps network port for wire connection
- ❖ Rear cable attached RESET button
- ❖ Lightning protection 4000V
- ❖ Strong water-proof housing, IP66
- ❖ 18 pcs SMD IR Leds, IR distance 30 meters
- ❖ HD 2.8 mm fixed lens

## Technical Specifications:

<b>Model</b>	<b>SST-WI-BBH-5M</b>
<b>Camera</b>	
Image Sensor	1/2.8" Sony IMX335 CMOS Sensor
Effective Pixels	5 megapixels
Electronic Shutter	AUTO
Min. Illumination	0.01Lux@F1.2(AGC ON)
Day/Night	Auto/Color/(B/W)
System	PAL/NTSC
White Balance	Auto/Indoor/Outdoor
OSD Overlay	Yes
Image Mirror	Yes
Privacy Mask	Yes
<b>Encode</b>	
Video Standard	H.265/H.264
Video Resolution	Main Stream:15fps@5MP(2560*1920)/4MP(2560*1440) Sub Stream: 25/30fps@800x600/640x352
Video Bitrates	32Kbps - 6Mbps, VBR/CBR
Audio Standard	G.711/G.726
Audio Input	Built-in Mic
Audio Output	No
<b>IR Led</b>	
IR Led	18 pcs SMD IR Leds

IR Distance	30M
<b>Lens</b>	
Focal length	2.8mm Fixed lens
<b>Network Services</b>	
Protocol	TCP/IP/HTTP/RTSP/FTP/SMTP/DHCP/NTP, etc.
P2P	Yes
Web	IE , Firefox, Chrome, Edge, Safari, etc. (flash video)
Media	CMS, Android, IOS
ONVIF	2.04 compatible
Alarm Event	Human detection, Motion Detection, Email alert, snapshot FTP, SD Storage
<b>General</b>	
Network Port	1-RJ45, 100Mbps
Wireless	2.4G b/g/n external 3DB antenna
Reset Button	Yes
Power Supply	12 VDC $\pm$ 10%
Power Consumption	< 10 W
Operating Temp.	-30°C-(+60)°C, 10%-90%RH