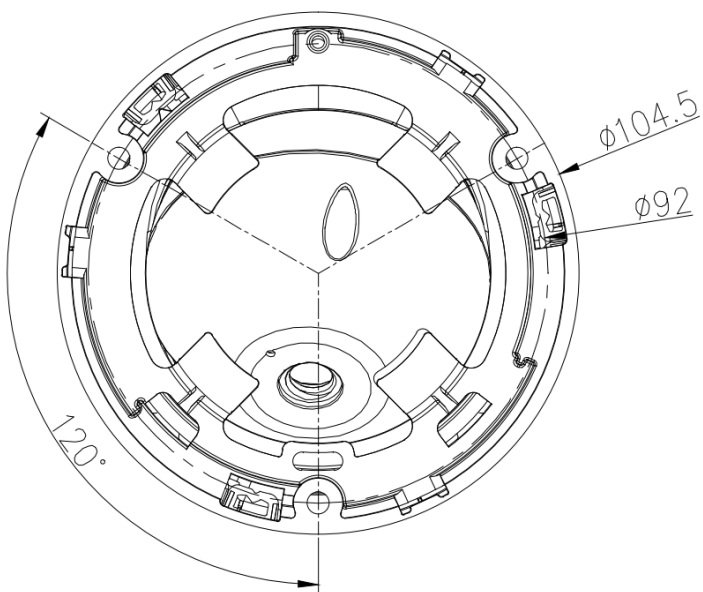
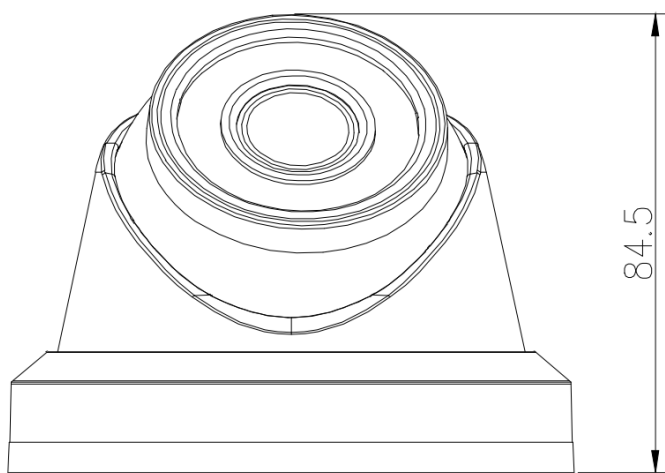
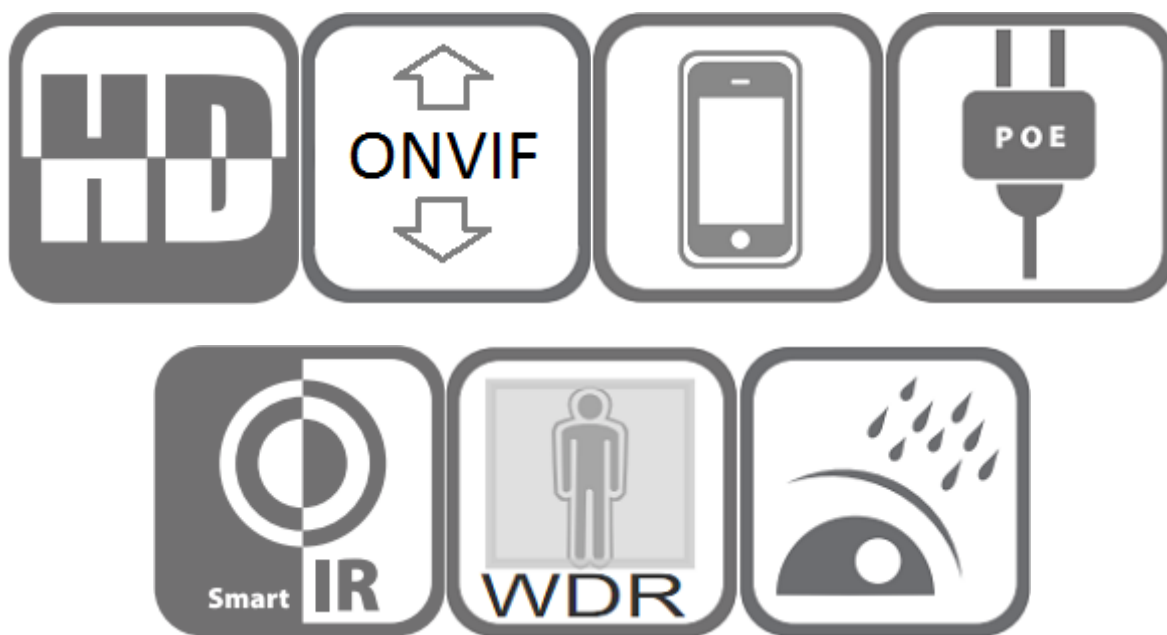


Model:SST-IR-T-4M

4MP Human Detection IR Mini Turret PoE IP Camera





Features:

- ❖ 1/3" CMOS sensor
- ❖ 4MP HD resolution output
- ❖ Ultra low illumination 0.01Lux
- ❖ Day/Night (ICR), AWB, 2D/3D-DNR, IR-CUT
- ❖ D-WDR, Motion Detection, Human Detection, Privacy Mask, Flip
- ❖ RTSP and Onvif 17.06 compatible
- ❖ H.265/H.264 dual-stream media server
- ❖ Easy-to-use P2P Cloud service
- ❖ Multi web browser, PC Client, mobile APP remote access
- ❖ RJ45 100mbps network port, IEEE802.3af PoE
- ❖ Lightning protection 4000V
- ❖ Strong water-proof housing, IP66
- ❖ 18pcs SMD IR LEDs, distance 20-30 meters
- ❖ 2.8 mm /3.6 mm fixed lens optional
- ❖ Build In Microphone Optional

Technical Specifications:

Model	SST-IR-T-4M
Camera	
Image Sensor	1/3" 4MP SC4336P CMOS
Effective Pixels	2560(H)×1440 (V)
Electronic Shutter	AUTO, 1/10s ~ 1/100000s
Min. Illumination	0.01Lux@F1.2(AGC ON), 0Lux IR on
Day/Night	Auto/Color/(B/W)/Timing
WDR	Digital WDR
White Balance	Auto/Manual
BLC/HLC	Support
DNR	2D/3D DNR
Light Control	Auto/Manual, Mode switch, Brightness level, OFF, Light ON Illumination
License Plate Mode	Yes
Other	Multi-lines OSD, Privacy Mask, Flip, Reset
Encode	
Video Standard	H.264/H.265/H.265+
Video Resolution	MainStream:25fps@2560x1440,30fps@2304x1296/1080P/720P,etc. Sub stream:640x360P/cif@30fps,etc.
Video Bitrates	64Kbps - 6Mbps, VBR/CBR
Audio Standard	G.711-u/G.711-a/AAC
Built-in Mic	Optional
Smart Detection	
Motion Detection	Support
Target Detection	Human Detection
IR Led	
IR Led	18pcs SMD IR LEDs
IR Distance	20-30 M
Lens	
Focal length	2.8 mm /3.6mm fixed lens
Language	
English, simplified Chinese, Chinese Traditional, Deutsch, Italian, Turkish, Polish, Korean, Japanese, Russian, Ukrainian, Persian.	
Network Services	
Protocol	HTTP/RTSP/FTP/SMTP/DHCP/NTP/RTMP, etc.
P2P	Yes
Web	IE, Firefox, Chrome, Edge, Safari, etc.
Media	CMS, Android, IOS
ONVIF	17.06 compatible
General	
Network Port	1-RJ45, 100Mbps
Power Supply	12 VDC ± 10%
POE	802.3af/at 48V
Power Consumption	< 8 W
Operating Temp.	-30°C-(+60)°C, 10%-90%RH