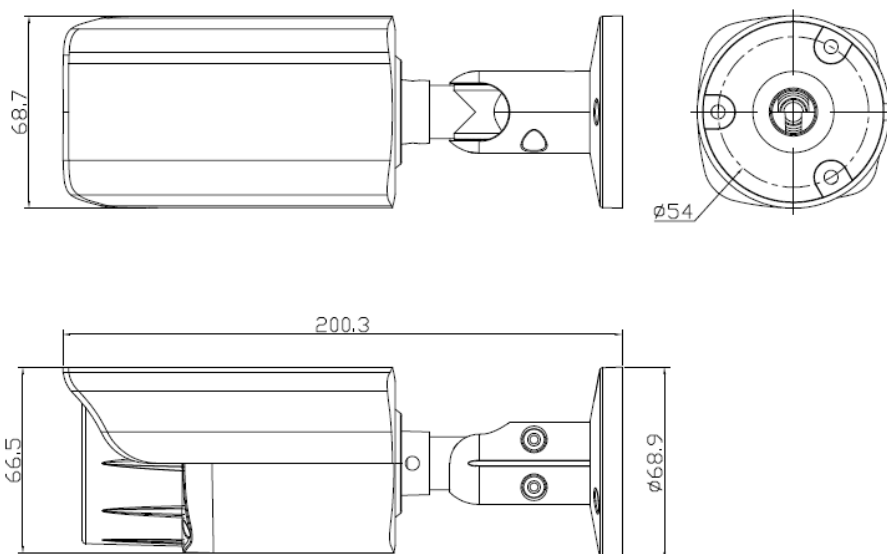
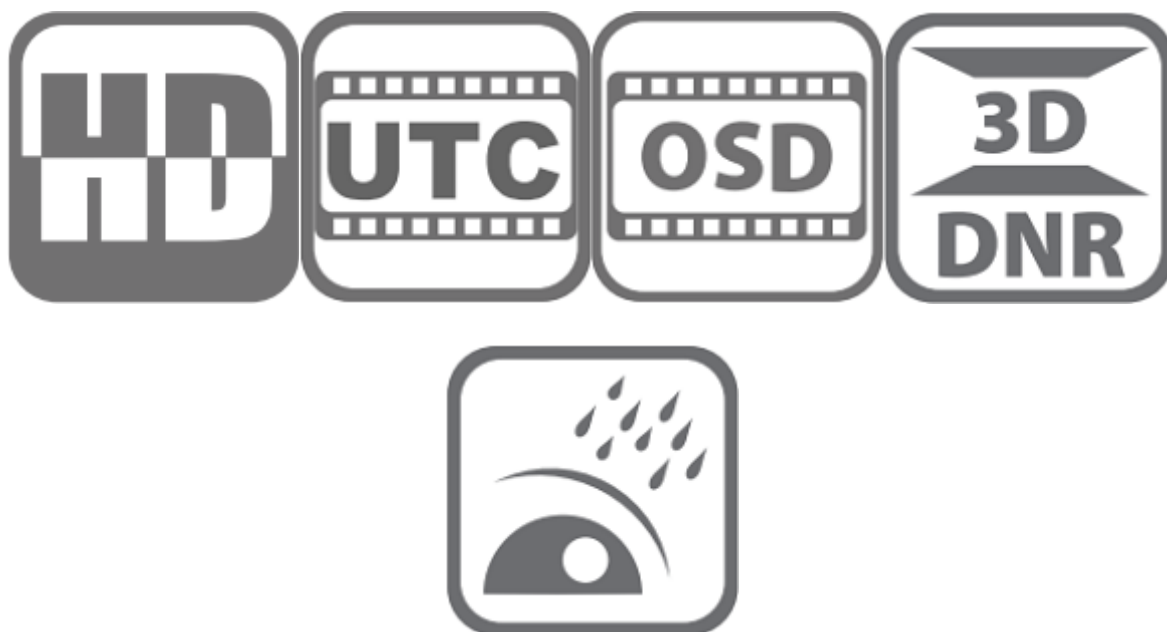


Model: SST-4N1-B2IR-5M

5MP Bullet 4-in-1 Camera





Features:

- ❖ 4-in-1 HDTVI/HDCVI /AHD / CVBS optional output
- ❖ UHD resolution 20fps@2560×1944P CMOS sensor
- ❖ Ultra low illumination 0.05Lux
- ❖ Up to 300M long distance and high speed real time monitoring
- ❖ OSD menu control up the coaxial cable (UTC)
- ❖ Low light and perfect night vision
Day/Night (ICR), AWB, AGC, DNR
- ❖ Lightning protection
- ❖ Strong water-proof housing, IP66
- ❖ 18pcs SMD IR LEDs, distance 20-30 meters
- ❖ 3.6mm Fixed

Technical Specifications:

Model	SST-4N1-B2IR-5M
Camera	
Image Sensor	1/2.5" CMOS
Chipset	C18+FH8538E
Effective Pixels	2592(H)×1944 (V)
Video Resolution	TVI/AHD: 20 fps@2560×1944P, CVI 30 fps@2560×1440P, (20fps/12.5fps) adjustable
Electronic Shutter	AUTO, 1/25 - 1/50,000s
Min. Illumination	0.05Lux@F1.2(AGC ON), 0Lux IR on
Video System	PAL/NTSC
Video Output	1 channel, HDCVI / HDTVI/AHD/CVBS , adjustable
Video Switch	DIP switch
Day/Night	Auto/Color/(B/W)/EXT
White Balance	ATW/Manual
DNR	2D NR
OSD Menu	Multiple languages OSD menu control up the coaxial cable (UTC)
Coaxial Audio	TVI signal
IR Led	
Warm Led	18pcs SMD IR LEDs
Distance	20-30 M
Lens	
Focal length	3.6mm fixed lens
General	
Power Supply	12 VDC ± 10%
Power Consumption	< 5 W
Operating Temp.	-30°C-(+60)°C, 10%-90%RH