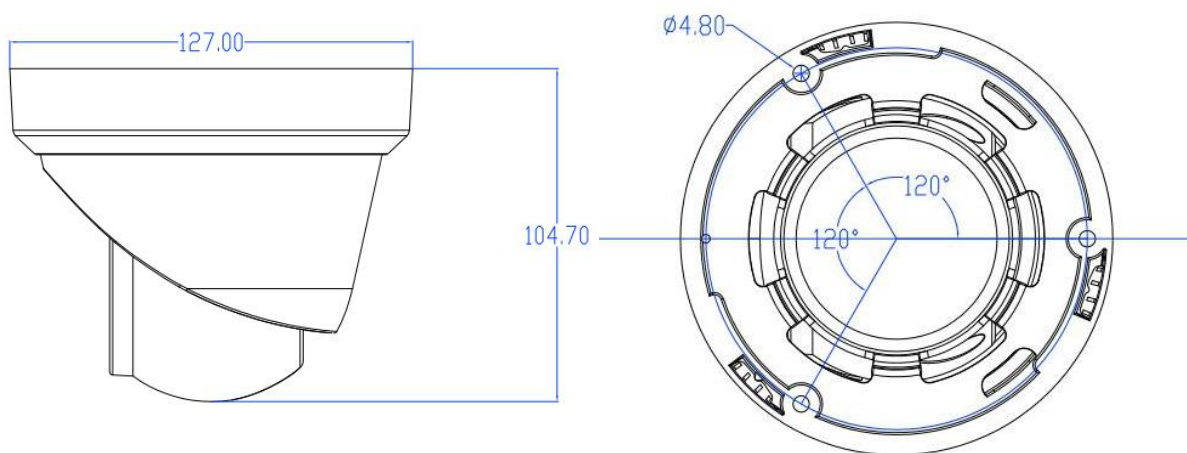
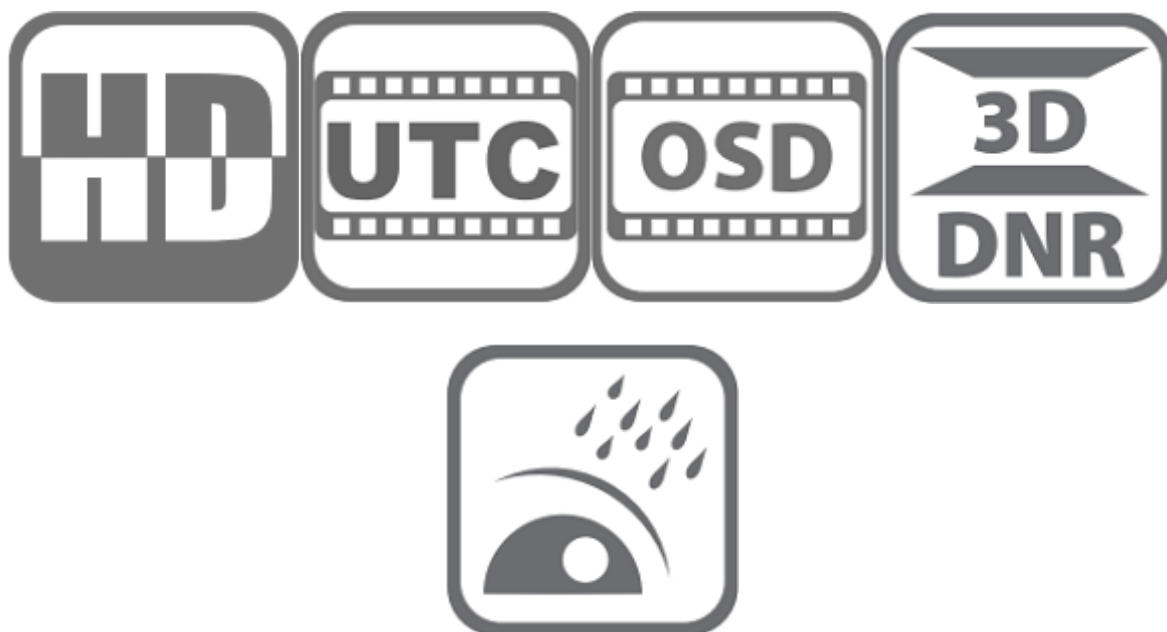


Model: SST-4N1-DIR2-5M

5MP Turret 4-in-1 Camera





Features:

- ❖ 4-in-1 HDTVI/HDCVI /AHD / CVBS optional output
- ❖ UHD resolution 20fps@2560×1944P CMOS sensor
- ❖ Ultra low illumination 0.05Lux
- ❖ Up to 300M long distance and high speed real time monitoring
- ❖ OSD menu control up the coaxial cable (UTC)
- ❖ Low light and perfect night vision
- ❖ Day/Night (ICR), AWB, AGC, DNR
- ❖ Lightning protection
- ❖ Strong water-proof housing, IP66
- ❖ 18pcs SMD IR LEDs, distance 20-30 meters
- ❖ 2.8mm Fixed

Technical Specifications:

Model	SST-4N1-DIR2-5M
Camera	
Image Sensor	1/2.5" CMOS
Chipset	C18+FH8538E
Effective Pixels	2592(H)×1944 (V)
Video Resolution	TVI/AHD: 20 fps@2560×1944P, CVI 30 fps@2560×1440P, (20fps/12.5fps) adjustable
Electronic Shutter	AUTO, 1/25 - 1/50,000s
Min. Illumination	0.05Lux@F1.2(AGC ON), 0Lux IR on
Video System	PAL/NTSC
Video Output	1 channel, HDCVI / HDTVI/AHD/CVBS , adjustable
Video Switch	DIP switch
Day/Night	Auto/Color/(B/W)/EXT
White Balance	ATW/Manual
DNR	2D NR
OSD Menu	Multiple languages OSD menu control up the coaxial cable (UTC)
Coaxial Audio	TVI signal optional
IR Led	
Warm Led	18pcs SMD IR LEDs
Distance	20-30 M
Lens	
Focal length	2.8mm fixed lens
General	
Power Supply	12 VDC ± 10%
Power Consumption	< 5 W
Operating Temp.	-30°C-(+60)°C, 10%-90%RH