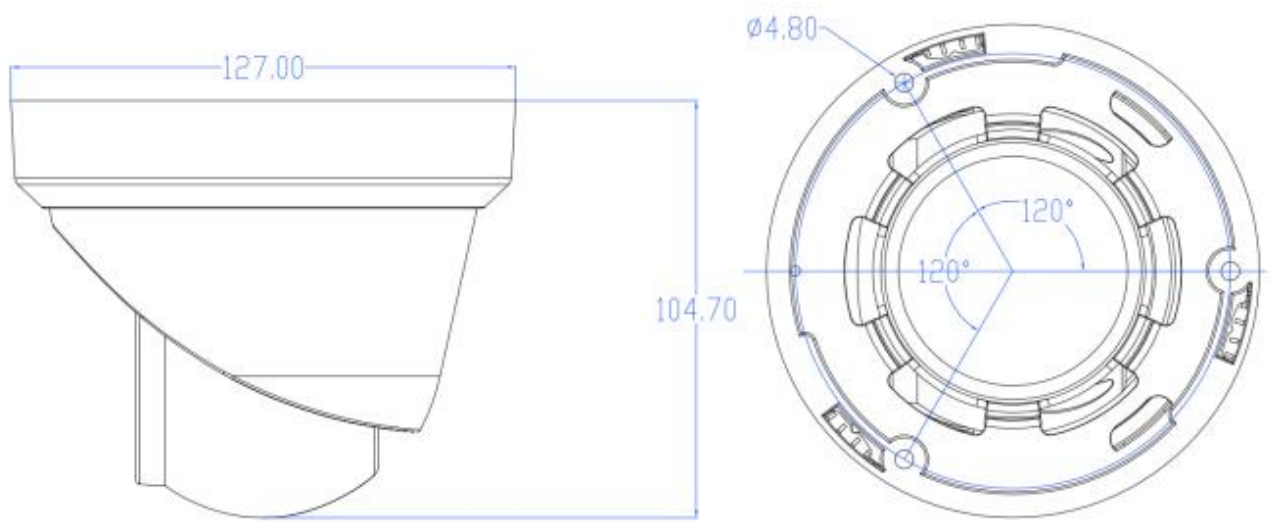
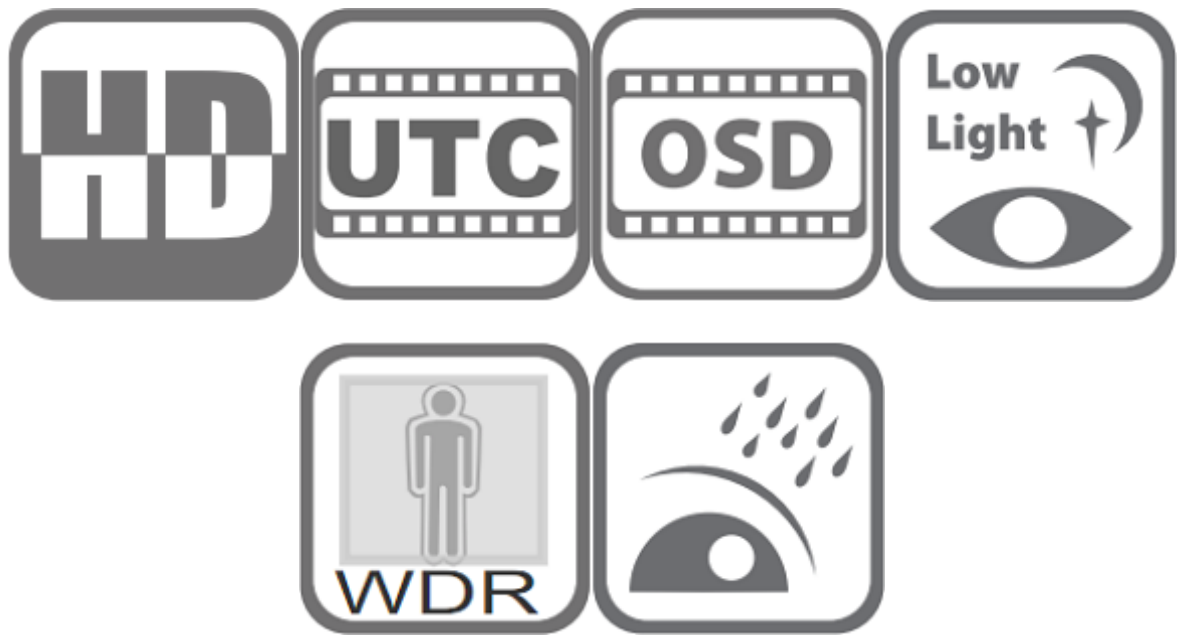


Model: SST-4N1-DIR2-8M

8MP Turret 4 in 1 Camera





Features:

- ❖ 4-in-1 HDCVI / HDTV/ AHD / CVBS optional output
- ❖ Full HD resolution 3480H x 2160V
- ❖ Ultra low illumination 0.01Lux@(F1.2 ,AGC On)
- ❖ Up to 300M long distance and high speed real time monitoring
- ❖ OSD menu control up the coaxial cable (UTC)
- ❖ Day/Night (ICR), AWB, AGC, 2DDNR, D-WDR, Flip
- ❖ Lightning protection 6V-15V
- ❖ Strong water-proof housing, IP67
- ❖ Support AOC at TVI mode
- ❖ 18 pcs SMD White Led, distance 20-30 meters
- ❖ 2.8 mm fixed lens

Technical Specifications:

| | |
|--------------------|--|
| Model | SST-4N1-DIR2-8M |
| Camera | |
| Image Sensor | 1/2.8" 8 Mega pixels CMOS |
| Chipset | Sony IMX415+TP3818 |
| Effective Pixels | 3840(H)×2160 (V) |
| Video Resolution | 4K@12.5/15fps (PAL/NTSC) |
| Electronic Shutter | AUTO, 1/25 - 1/10,000s |
| Min. Illumination | 0.01Lux@F1.2(AGC ON), 0Lux IR on |
| Video System | PAL/NTSC |
| Video Output | 1 channel, HDCVI / HDTVI/AHD/CVBS , adjustable |
| Video Switch | DIP switch |
| Mic | Yes (TVI Mode available) |
| Day/Night | Auto/Color/(B/W)/EXT |
| WDR | Digital WDR |
| White Balance | ATW/Manual |
| AGC/BLC | Support |
| DNR | 2D NR |
| OSD Menu | Multiple languages OSD menu control up the coaxial cable (UTC) |
| IR Led | |
| IR Led | 18pcs SMD Leds |
| IR Distance | 20-30 M |
| Lens | |
| Focal length | 2.8 mm fixed lens |
| General | |
| Power Supply | 12 VDC ± 10% |
| Power Consumption | < 5 W |
| Operating Temp. | -20°C-(+60)°C, 10%-90%RH |