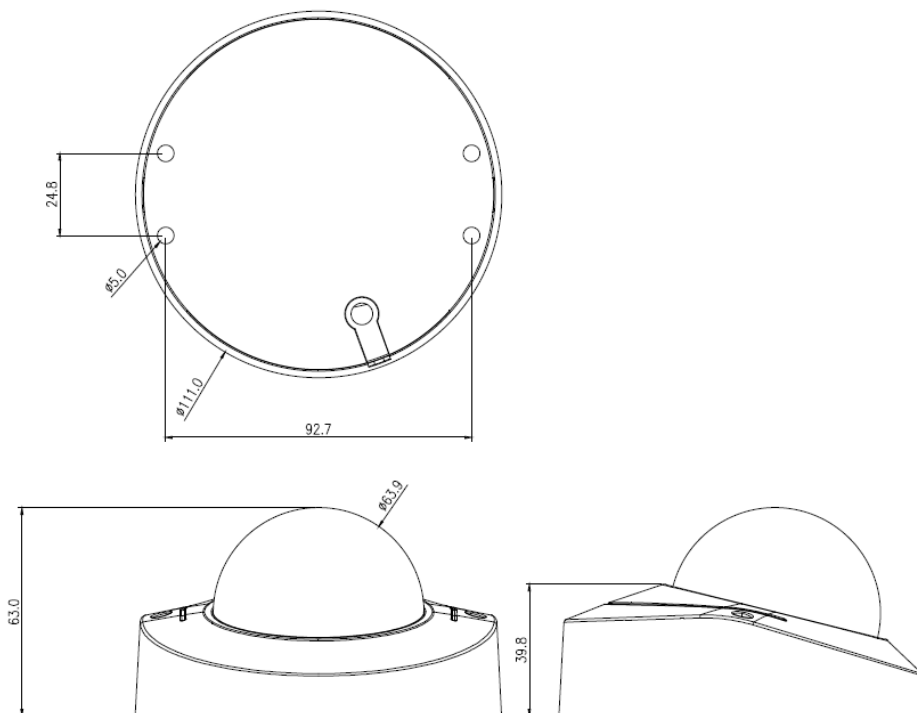
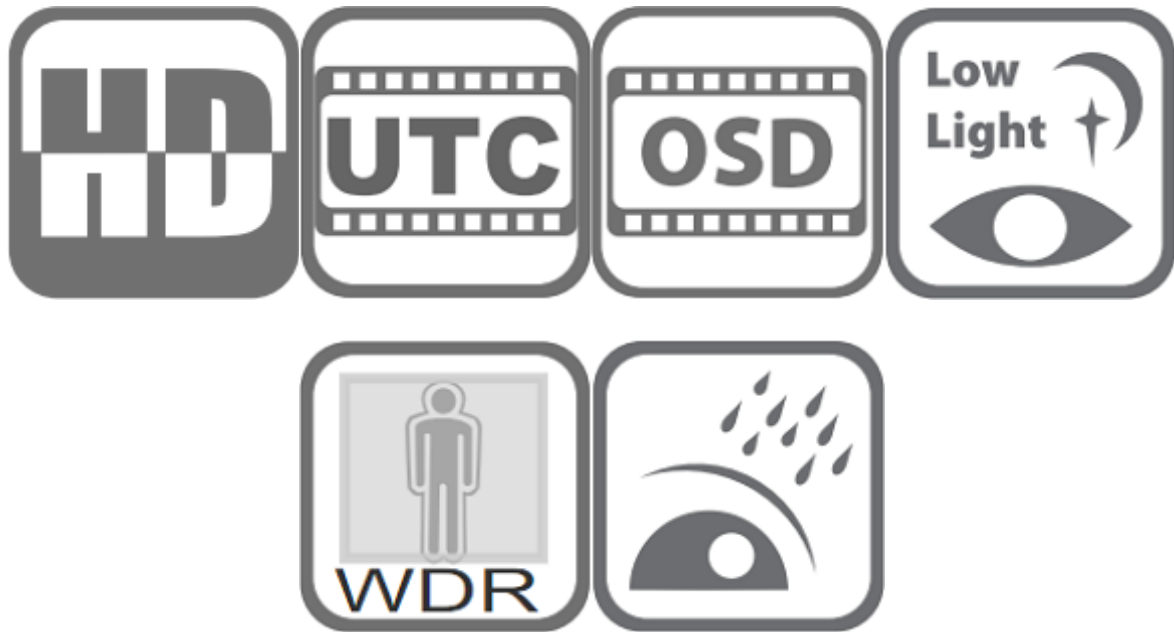


**Model: SST-4N1-MD2-2M**

## 2 MP 1080P Mini Dome 4in1 Camera





## Features:

- ❖ 4-in-1 HDCVI / HDTV/ AHD / CVBS output
- ❖ Full HD resolution 1920 x 1080P
- ❖ Ultra low illumination 0.01Lux
- ❖ Up to 300M long distance and high speed real time monitoring
- ❖ OSD menu control up the coaxial cable (UTC)
- ❖ Day/Night (ICR), AWB, AGC, DNR, D-WDR, Flip
- ❖ Lightning protection
- ❖ Strong water-proof housing, IP66
- ❖ 10PCS SMD Array IR Led , IR distance:15M
- ❖ HD 2.8mm fixed lens

## Technical Specifications:

|                    |  |
|--------------------|--|
| <b>Model</b>       | <b>SST-2N1-MD2-2M</b>  |
| <b>Camera</b>      |  |
| Image Sensor       | 1/2.9" 2 Mega pixels CMOS                                      |
| Chipset            | GC2053+TP3822  |
| Effective Pixels   | 1920(H)×1080 (V)   |
| Video Resolution   | 1080P@25/30fps   |
| Electronic Shutter | AUTO, 1/25 - 1/10,000s   |
| Min. Illumination  | 0.01Lux@F1.2(AGC ON), 0Lux IR on                               |
| Video System       | PAL/NTSC   |
| Video Output       | 1 channel, HDCVI / HDTVI/AHD/CVBS , adjustable                 |
| Video Switch       | DIP switch   |
| Mic                | Yes (TVI Mode available)                                       |
| Day/Night          | Auto/Color/(B/W)/EXT   |
| WDR                | Digital WDR  |
| White Balance      | ATW/Manual   |
| AGC/BLC            | Support  |
| DNR                | 2D NR  |
| OSD Menu           | Multiple languages OSD menu control up the coaxial cable (UTC) |
| <b>IR Led</b>      |  |
| IR Led             | 10PCS SMD Array IR Led   |
| IR Distance        | 15-20 M  |
| <b>Lens</b>        |  |
| Focal length       | 2.8 mm fixed lens  |
| <b>General</b>     |  |
| Power Supply       | 12 VDC ± 10%   |
| Power Consumption  | < 5 W  |
| Operating Temp.    | -20℃-(+60)℃, 10%-90%RH   |