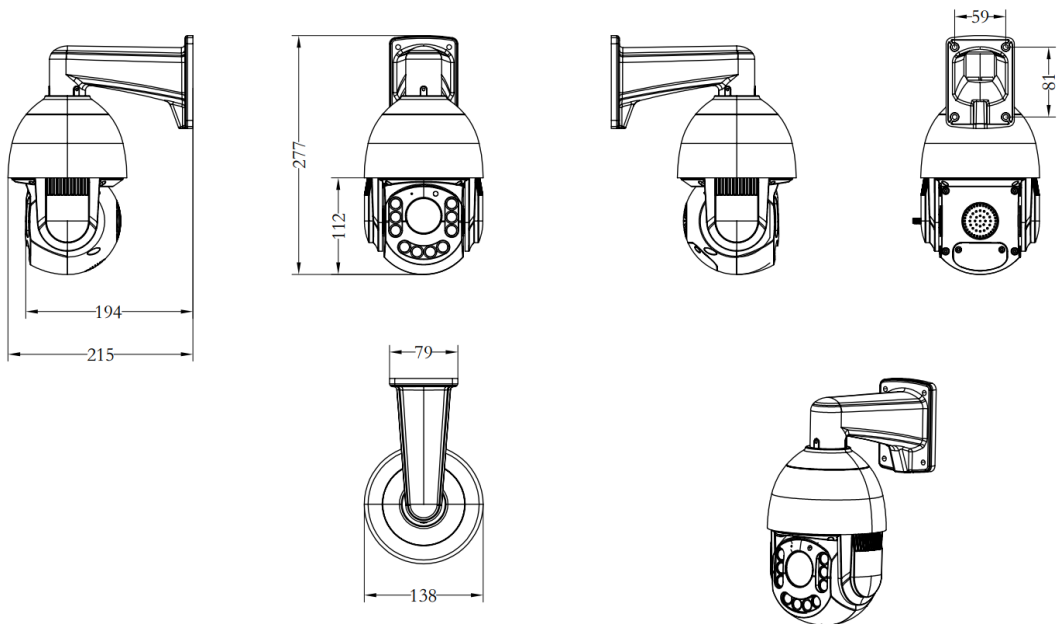
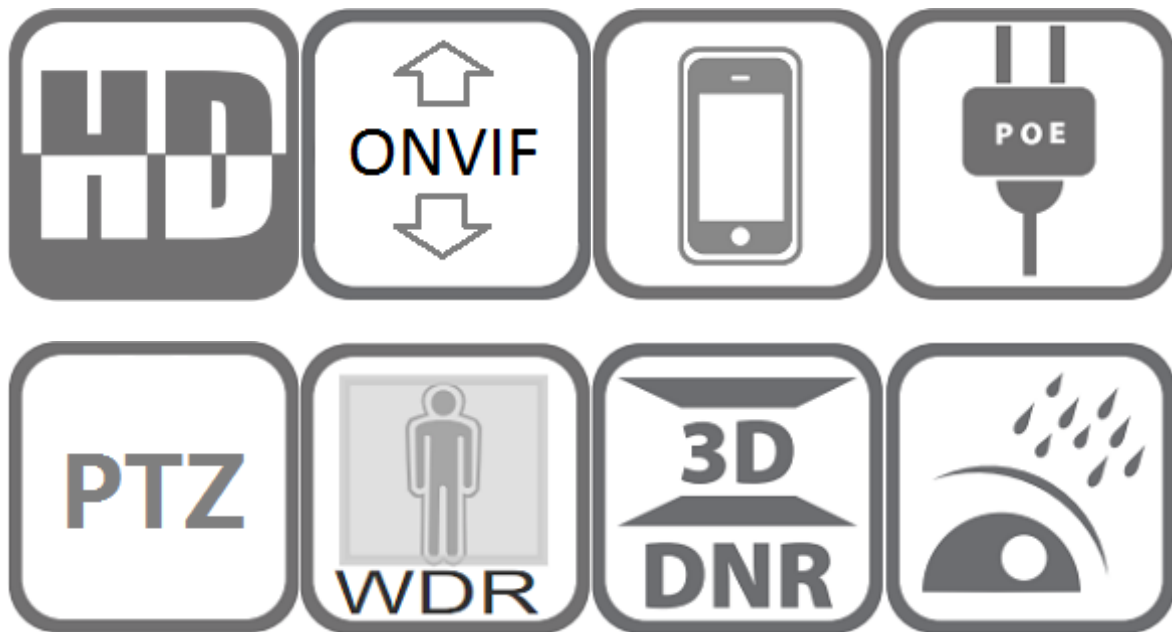


Model: SST-PTZ-V1-6M

4.5-inch 6MP 20X Auto Tracking Dual-light IP PTZ Speed Dome Camera





Features:

- 1/2.8" Sony CMOS sensor
- Max 6MP HD resolution 3072 x 2048 output
- low illumination 0.01Lux
- 20x optical zoom lens
- Smart Human and Vehicle Detection Alarm
- Smart Human Motion Auto Tracking
- Day/Night, AWB/MWB, BLC, HLC, 2D/3D-DNR, Shutter, IR-CUT, D-WDR, Flip, Defogging
- Multiply Style OSD Overlay, Motion Detection, Privacy Mask
- RTSP and Onvif 17.06 compatible with many third-party NVR
- H.264/H.265 stream media server
- Easy-to-use P2P Cloud service
- Support user authentication, video data encryption
- Support Alarm Snapshot to Email and FTP
- Multiply WEB browser IE, Firefox, Chrome, Edge, Safari
- Free PC Client, Mobile APP remote access
- RJ45 100mbps network port, IEEE802.3af 48v PoE
- Strong water-proof housing IP66
- 6 pcs Array IR Led, IR distance 80-100 meters;
- 4 pcs Warmlight Leds, Light Range up to 40 Meters
- [Built-in Mic and speaker, two-way audio](#)
- [Support audio alarm to warn intruders off](#)
- [Support warm light on and colorful imaging when detect human body/vehicle](#)

Technical Specifications:

Model	SST-PTZ-V1-6M
Camera	
Image Sensor	1/2.8" Sony CMOS
Effective Pixels	6 megapixels
Electronic Shutter	AUTO, 1/25s ~ 1/100000s
Min. Illumination	0.01Lux@F1.2(AGC ON), 0Lux IR on
Day/Night	Auto/Color/(B/W)/Timing
WDR	Digital WDR , HDR
White Balance	Auto/Manual
AGC/BLC/HLC	Support
DNR	2D/3D DNR
Other	Multi-lines OSD, Motion Detection, Privacy Mask, Mirror
Encode	
Video Standard	H.265/H.264
Video Resolution	Main Stream: 25fps@6MP(3072x2048)/5MP(2592x1944), 30fps@4MP/3MP/1080P/720P Sub stream: 30fps@D1/VGA/360P/CIF, etc.
Video Bitrates	512Kbps - 8Mbps, VBR/CBR
Audio Standard	G.711-u/G.711-a/AAC
Two-way audio	Yes; Built-in Mic and speaker
Smart Detection	Human Detection Vehicle Detection
IR & Warmlight Led	
IR Led	6pcs array IR Led
Warm light	4 pcs warmlight Led
Distance	IR: 80-100 M, Warm light: 40-50M
Lens	
Focal length	4.7-94mm
IRIS	F1.6-3.5
View angle	64 - 2.9 °
Zoom	20x optical zoom; support auto tracking
Function	
High power PoE, Build in MicroSD Card Slot(Max 512GB)	
PTZ	
Pan/Tilt Range	Pan: 0° ~ 360°; Tilt: -5° ~ 90°
Preset Point	256
Control Speed	Pan: 0.5° ~30° /s; Tilt: 0.5° ~30° /s
A-B Scanning	Support
Auto Cruising	Support 8 groups patrol, Max. 16 presets in group
Power on Action	Preset/Scan/Cruise
Power-off Recovery	Support
Smart Tracking	Human Detection Tracking together with patrol
Network Services	
Protocol	HTTP/RTSP/FTP/SMTP/DHCP/NTP/NFS/RTMP, etc.

P2P	Yes
Web	IE, Firefox, Chrome, Edge, Safari
Media	CMS, Android, IOS
ONVIF	17.06 compatible
General	
Network Port	1-RJ45, 100Mbps, PoE 48V in
Power Supply	12 VDC \pm 10% 2A
Power Consumption	< 22 W
Operating Temp.	-30°C-(+60)°C, 10%-90%RH

Ceiling mount: (Optional)

