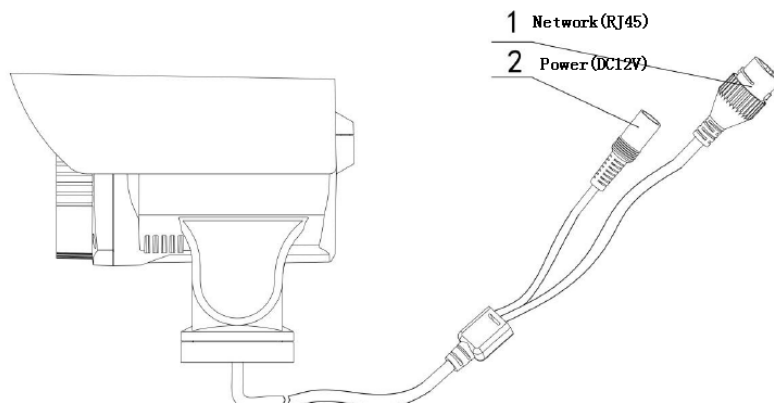
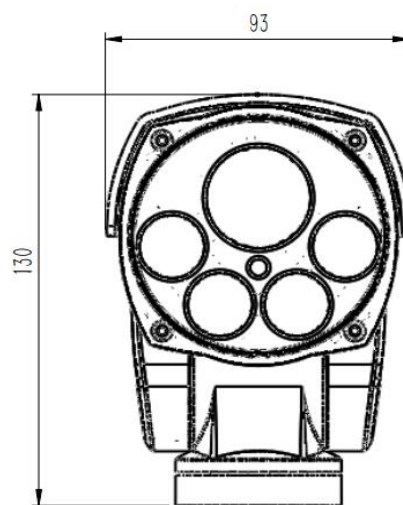
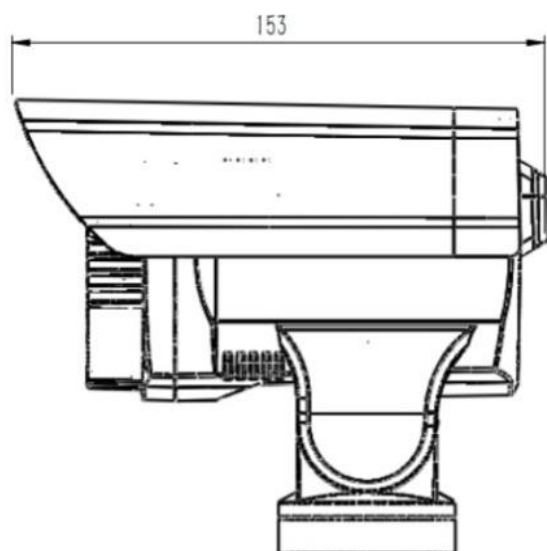
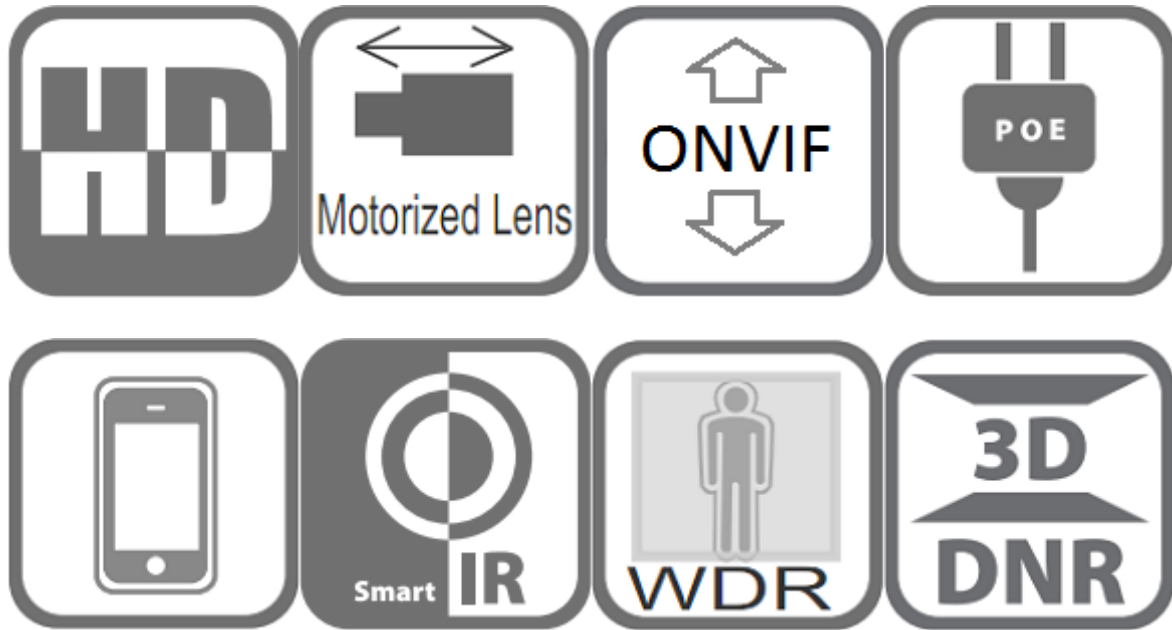


**Model: SST-B1-PTZ-2M**

**2.0MP 1080P 10X ZOOM IR Waterproof Bullet PTZ IP Camera**





## Features:

- 1/2.8" Sony IMX307 CMOS sensor
- Full HD resolution 1920 x 1080P
- Ultra low illumination 0.001Lux
- Day/Night (ICR), AWB, AGC, BLC, 2D/3D-DNR, IR-CUT
- D-WDR, Motion Detection, Privacy Mask, Mirror
- RTSP and Onvif 17.06 compatible
- H.265/H.264 dual-stream media server
- Easy-to-use P2P Cloud service
- Multi web browser, PC Client, mobile APP remote access
- RJ45 100mbps network port, IEEE802.3af PoE
- Lightning protection 4000V
- Strong water-proof housing, IP66
- 4 pcs Array IR Leds, IR distance 60-80 meters
- 5.1 - 51 mm AF lens

## Technical Specifications:

<b>Model</b>	<b>SST-B1-PTZ-2M</b>
<b>Camera</b>	
Image Sensor	1/2.8" Sony IMX307 CMOS
Effective Pixels	1920(H)×1080 (V)
Electronic Shutter	AUTO, 1/25s ~ 1/100000s
Min. Illumination	0.001Lux@F1.6(AGC ON), 0Lux IR on
Day/Night	Auto/Color/(B/W)
WDR	Digital WDR
White Balance	Auto
AGC/BLC/HLC	Support
DNR	2D/3D DNR, multi-levels adjustable
OSD Menu	Support
Other	Motion, Privacy Mask, Mirror, Flip
<b>Encode</b>	
Video Standard	H.264/H.265
Video Resolution	1080P@25/30fps
Video Bitrates	512Kbps - 3Mbps, VBR/CBR
Audio Standard	G.711-u/ G.711-a
<b>IR Led</b>	
IR Led	4 pcs 850nm Array IR Leds
IR Distance	60-80 M
<b>Lens</b>	
Focal length	5.1 -51 mm AF lens
Zoom	10x optical zoom
<b>PTZ</b>	
Pan/Tilt Range	Pan: 0° ~ 300°; Tilt: -5° ~ 60°
Preset Point	256
Manual Control Speed	Pan: 0.5° ~12° /s; Tilt: 0.51° ~12° /s
<b>Network Services</b>	
Protocol	HTTP/RTSP/FTP/SMTP/DHCP/NTP/NFS, etc.
P2P	Yes
Web	IE , Firefox (32bit esr), etc.
Media	CMS, Android, IOS
ONVIF	17.06 compatible
<b>General</b>	
Network Port	1-RJ45, 100Mbps
Power Supply	POE; 12 VDC ± 10%
Power Consumption	< 15 W
Operating Temp.	-40°C-(+60)°C, 10%-90%RH