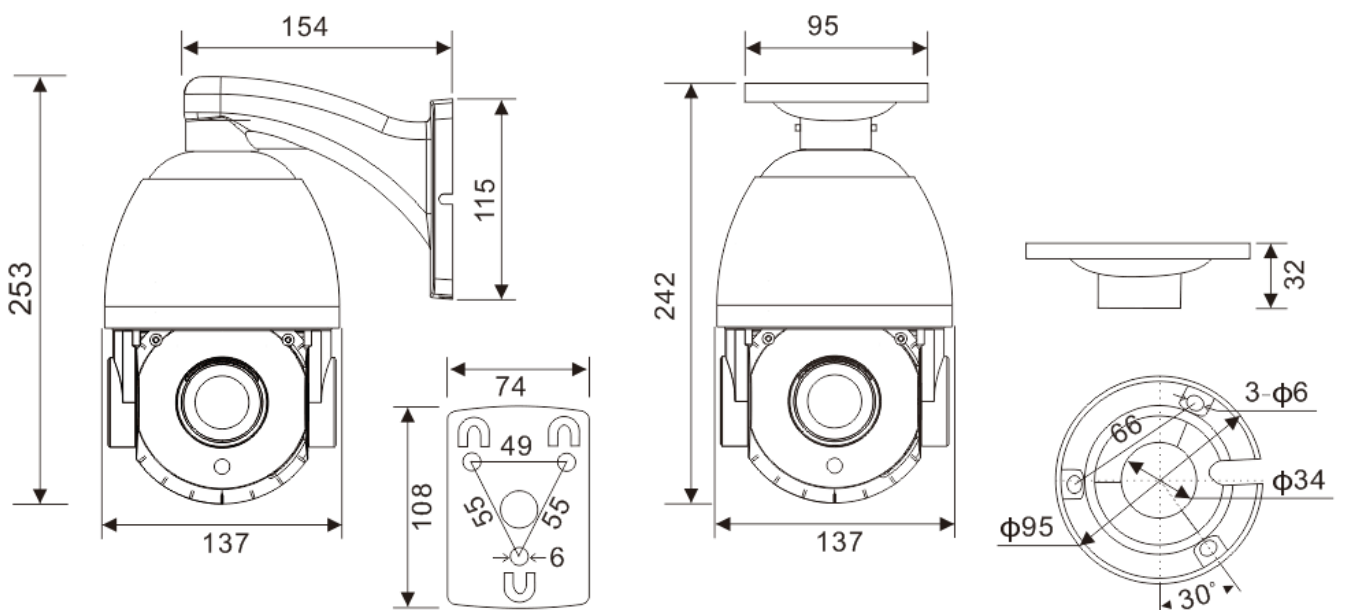
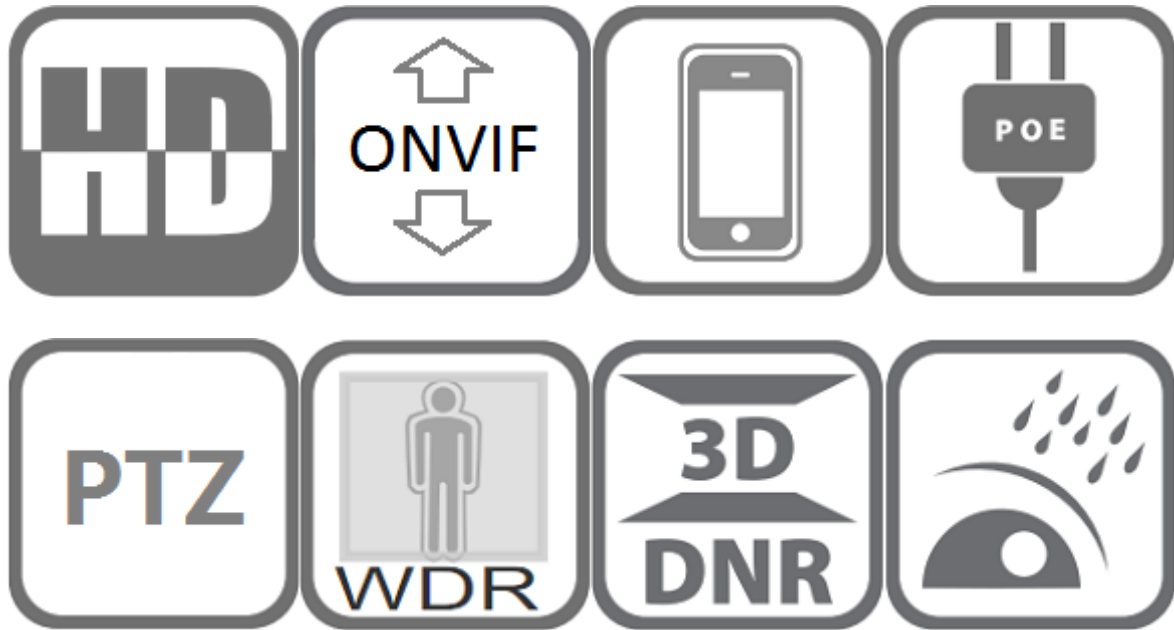


Model: SST-PTZ-V1-8M

4.5-inch 8MP 20X Auto Tracking Dual-light IP PTZ Speed Dome Camera





Features:

- 1/2.8" Sony low-light CMOS sensor
- 4K 8MP resolution 3840 x 2160 output
- low illumination 0.01Lux
- 20x optical zoom lens
- Smart Human and Vehicle Detection Alarm
- Smart Human Motion Auto Tracking
- Day/Night, AWB/MWB,BLC, HLC, 2D/3D-DNR,Shutter, IR-CUT
- D-WDR, Mirror, flip, Defogging
- Multiply Style OSD Overlay,Motion Detection, Privacy Mask
- RTSP and Onvif 17.06 compatible with many third-party NVR
- H.264/H.265 dual-stream media server
- Easy-to-use P2P Cloud service
- Support user authentication, video data encryption
- Support Alarm Snapshot to Email and FTP
- Multiply WEB browser IE,Firefox,Chrome,Edge,Safari
- Free PC Client, Mobile APP remote access
- RJ45 100mbps network port, IEEE802.3af 48v PoE
- Lightning protection 4000V
- Strong water-proof housing IP66
- 6 PCS Warmlight LEDs, light distance 40-50meters,
- 8 PCS Array IR LEDs, IR distance 60-80 meters
- [Support warm light on and colorful imaging when detect human body/vehicle](#)
- Build in Mic.

Technical Specifications:

Model	SST-PTZ-V1-8M
Camera	
Image Sensor	1/2.8" Sony CMOS
Effective Pixels	8 megapixels
Electronic Shutter	AUTO, 1/10s ~ 1/100000s
Min. Illumination	0.01Lux@F1.2(AGC ON)
Day/Night	Auto/Color/(B/W)/Timing
WDR	Digital WDR
White Balance	Auto/Manual
BLC /HLC	Support
DNR	2D/3D DNR
Other	Image adjust , Flip
Encode	
Video Standard	H.264/H.265/Mjpeg
Video Resolution	MainStream:20fps@8MP(3840x2160),30fps@6MP(3072x2048)/5MP(2592x1944)/4MP/3MP/1080P/720P,etc. Sub stream: 720x480/VGA(640x480)/360P/QVGA@30fps,etc. Third stream: 1080P/720P/CIF @ 10fps
Video Bitrates	512Kbps - 12Mbps, VBR/CBR
Audio Standard	G.711-u/G.711-a/AAC
Built-in Mic	YES
Smart Detection	Smart Human and Vehicle Detection
IR & Warmlight Led	
IR Led	8 PCS Array IR LEDs
Warmlight Led	6 PCS Warmlight LEDs
IR Distance	60-80M(IR); 40-50M(Warmlight)
Lens	
Focal length	4.7-94mm
IRIS	F1.6-3.5
View angle	64 - 2.9 °
Zoom	20x optical zoom
Function	
High power PoE	
PTZ	
Pan/Tilt Range	Pan: 0° ~ 360°; Tilt: 0° ~ 90°
Preset Point	128
Control Speed	Pan: 0.5° ~40° /s; Tilt: 0.5° ~40° /s
A-B Scanning	Support
Auto Cruising	Support 8 groups patrol
Power on Action	Preset/Scan/Cruise
Power-off Recovery	Support
Smart Tracking	Human Motion Auto Tracking
Network Services	
Protocol	HTTP/RTSP/FTP/SNMP/DHCP/NTP/NFS/RTMP, etc.

P2P	Yes
Web	IE, Firefox, Chrome, Edge, Safari
Media	CMS, Android, IOS
ONVIF	17.06 compatible
General	
Network Port	1-RJ45, 100Mbps, PoE 48V in
Power Supply	12 VDC \pm 10% 2A
Power Consumption	< 22 W
Operating Temp.	-30°C-(+60)°C, 10%-90%RH