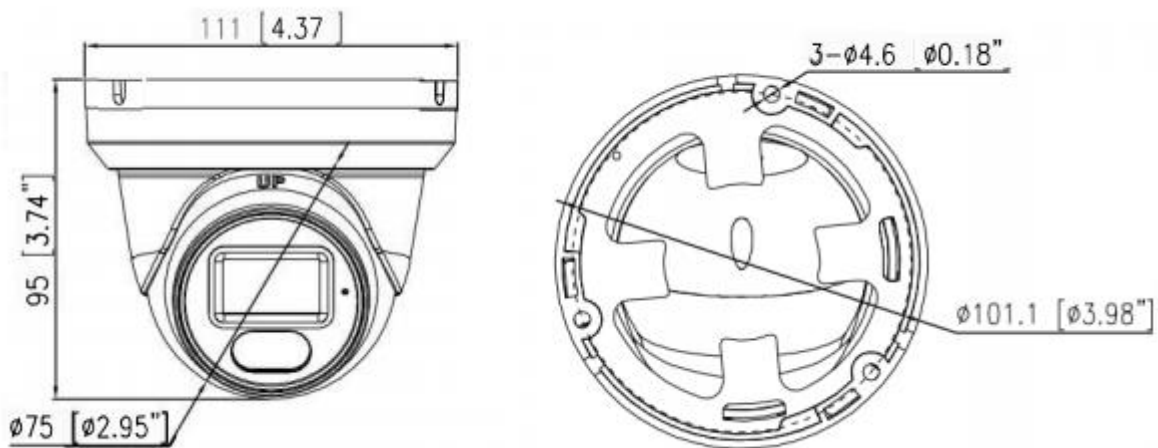
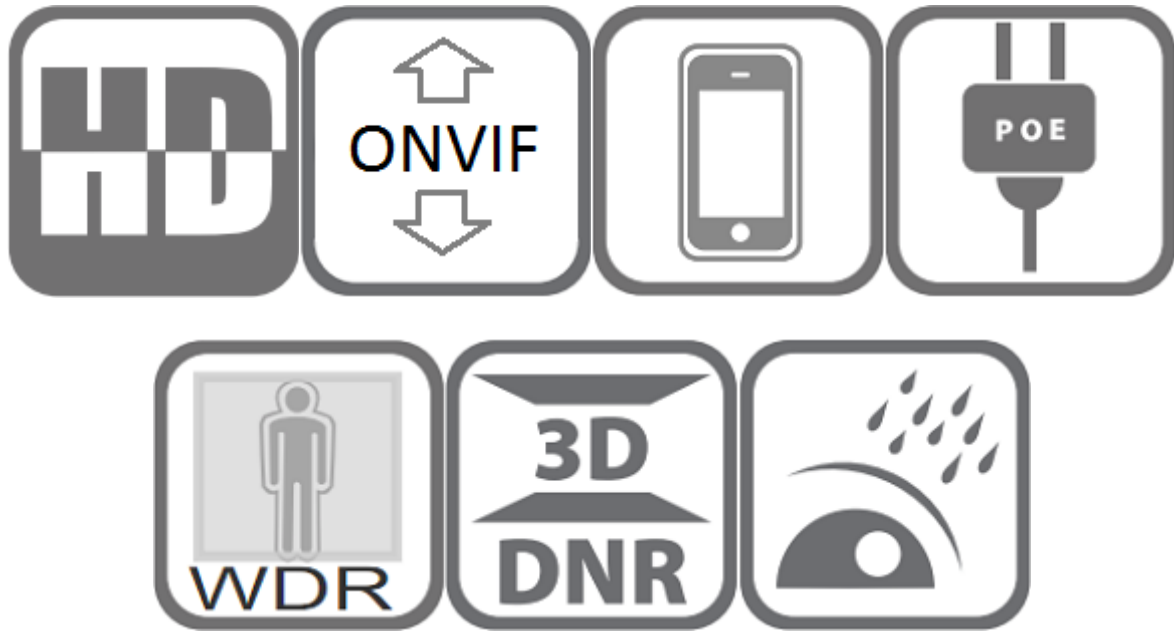


Model: SST-COL-24H-6M

**6MP Human and Vehicle Detection Ultra F1.0 Fixed Lens Color View IP
Turret Camera**





Features:

- ❖ 1/3" CMOS sensor
- ❖ 6MP HD resolution output
- ❖ Ultra low illumination 0.01Lux
- ❖ Day/ Night (ICR), AWR, 2D/3D-DNR, IR-CUT
- ❖ D-WDR, Motion Detection, Human and Vehicle Detection, Privacy Mask, Flip
- ❖ RTSP and Onvif 17.06 compatible
- ❖ H.265/ H.264 dual-stream media server
- ❖ Easy-to-use P2P Cloud service
- ❖ Multi web browser, PC Client, mobile APP remote access
- ❖ RJ45 100mbps network port, IEEE802.3af PoE
- ❖ Lightning protection 4000V
- ❖ Strong water-proof housing, IP66
- ❖ 2pcs Warm light Leds, Warm light distance 20-30 meters
- ❖ 2.8mm F1.0 fixed lens
- ❖ Microphone optional

Technical Specifications:

Model	SST-COL-24H-6M
Camera	
Image Sensor	1/3" GC4653 CMOS
Effective Pixels	3072(H)×2048 (V)
Electronic Shutter	AUTO, 1/25s ~ 1/100000s
Min. Illumination	AUTO/Manual: 1/10s ~ 1/10000s, shutter threshold
Day/Night	Auto/Color/(B/W)/Timing
WDR	Digital WDR
White Balance	Auto/Manual
BLC/HLC	Support
DNR	2D/3D DNR
Light Control	Auto/Manual, Mode switch, Brightness level, OFF, Light ON Illumination
License Plate Mode	Yes
Other	Multi-lines OSD, Privacy Mask, Flip
Encode	
Video Standard	H.264/H.265/H.265+
Video Resolution	Main Stream: 25fps@6MP(3072x2048)/5MP(2592x1944), 30fps@4MP/3MP/1080P/720P Sub stream: 30fps@D1/VGA/360P/CIF, etc.
Video Bitrates	64Kbps - 8Mbps, VBR/CBR
Audio Standard	G.711-u/G.711-a/AAC
Built-in Mic	Yes
Smart Detection	
Motion Detection	Support
Target Detection	Human and Vehicle Detection
LED	
Led	2pcs Warm lights
Distance	20-30 M
Lens	
Focal length	2.8 mm F1.0 fixed lens
Language	
English, simplified Chinese, Chinese Traditional, Deutsch, Italian, Turkish, Polish, Korean, Japanese, Russian, Ukrainian, Persian.	
Network Services	
Protocol	HTTP/RTSP/FTP/NFSv3/SMTP/DHCP/NTP/RTMP, etc.
P2P	Yes
Web	IE, Firefox, Chrome, Edge, Safari, etc.
Media	CMS, Android, IOS
ONVIF	17.06 compatible
General	
Network Port	1-RJ45, 100Mbps
Power Supply	12 VDC ± 10%
POE	802.3af/at 48V
Power Consumption	< 8 W
Operating Temp.	-20°C-(+60)°C, 10%-90%RH