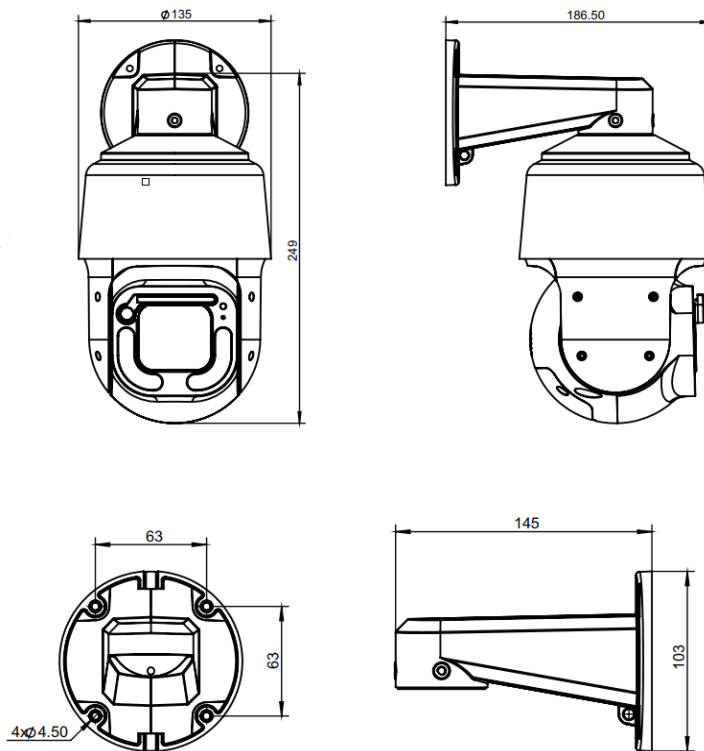
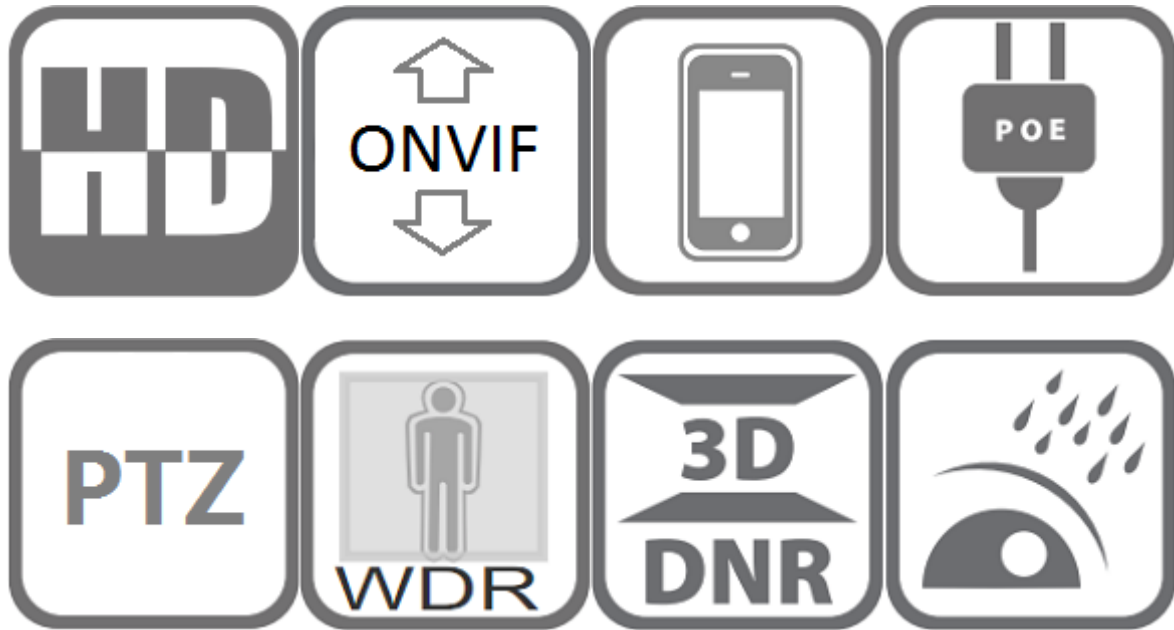


Model: SST-PTZ-V5-8M

4-inch 4K 20X Dual-light IP PTZ Speed Dome Camera With Wiper





Features:

- 1/2.8" Sony CMOS sensor
- 4K resolution 3840 x 2160P
- Low illumination 0.01Lux
- 20x optical zoom lens
- Smart Human and Vehicle Detection Alarm
- Smart Human Motion Auto Tracking
- Day/Night, AWB/MWB, BLC, HLC, 2D/3D-DNR, Shutter, IR-CUT, D-WDR, Flip, Defogging
- Multiply Style OSD Overlay, Motion Detection, Privacy Mask
- RTSP and Onvif 17.06 compatible with many third-party NVR
- H.264/H.265 dual-stream media server
- Easy-to-use P2P Cloud service
- Support user authentication, video data encryption
- Support Alarm Snapshot to Email and FTP
- Multiply WEB browser IE,Firefox,Chrome,Edge,Safari
- Free PC Client, Mobile APP remote access
- RJ45 100mbps network port, IEEE802.3af 48v PoE
- Lightning protection 4000V
- Strong metal water-proof housing, IP66
- 8 pcs Array IR Led and 2 pcs white light Leds
- IR distance 80-100 meters, White lights distance 40-50 meters
- [Built-in Mic and speaker, two-way audio](#)
- [Support audio alarm to warn intruders off](#)
- [Support warm light on and colorful imaging when detect human body/vehicle](#)

Technical Specifications:

Model	SST-PTZ-V5-8M
Camera	
Image Sensor	1/2.8" Sony CMOS
Effective Pixels	8 megapixels
Electronic Shutter	AUTO, 1/10s ~ 1/100000s
Min. Illumination	0.01Lux@F1.2(AGC ON)
Day/Night	Auto/Color/(B/W)/Timing
WDR	Digital WDR
White Balance	Auto/Manual
BLC /HLC	Support
DNR	2D/3D DNR
Other	Image adjust , Flip
Encode	
Video Standard	H.264/H.265/Mjpeg
Video Resolution	MainStream:20fps@8MP(3840x2160),30fps@6MP(3072x2048)/5MP(2592x1944)/4MP/3MP/1080P/720P,etc. Sub stream: 720x480/VGA(640x480)/360P/QVGA@30fps,etc. Third stream: 1080P/720P/CIF @ 10fps
Video Bitrates	512Kbps - 12Mbps, VBR/CBR
Audio Standard	G.711-u/G.711-a/AAC
Two-way audio	Yes; Built-in Mic and speaker
Smart Detection	Motion Detection Human Detection Vehicle Detection
IR & Warmlight Led	
IR Led	8pcs array IR Led
White light LEDs	2 pcs 3000K warm light Leds
IR Distance	80-100 M
White light Distance	40 -50 M
Lens	
Focal length	4.9~98 mm
IRIS	F1.6~F22
View angle	56° (wide) ~ 3.86° (tele)
Zoom	20x optical zoom
Function	
High power PoE, Build in MicroSD Card Slot(Max512GB), Reset button	
PTZ	
Pan/Tilt Range	Pan: 0° ~ 360° ; Tilt: -15° ~ 90°
Preset Point	256
Control Speed	Pan: 0.5° ~ 100° /s; Tilt: 0.5° ~80° /s
A-B Scanning	Support
Auto Cruising	Support 1 groups patrol, Max. 32 presets in group
Power on Action	Preset/Scan/Cruise
Power-off Recovery	Support

Smart Tracking	Human Detection Tracking
Network Services	
Protocol	HTTP/RTSP/FTP/SMTP/DHCP/NTP/NFS/RTMP, etc.
P2P	Yes
Web	IE, Firefox, Chrome, Edge, Safari
Media	CMS, Android, IOS
ONVIF	17.06 compatible
General	
Network Port	1-RJ45, 100Mbps, PoE 48V in
Power Supply	12 VDC \pm 10% 2A
Power Consumption	< 20 W
Operating Temp.	-30°C-(+60)°C, 10%-90%RH
Size	4 inch, 250*245*160mm
Weight	2 KG