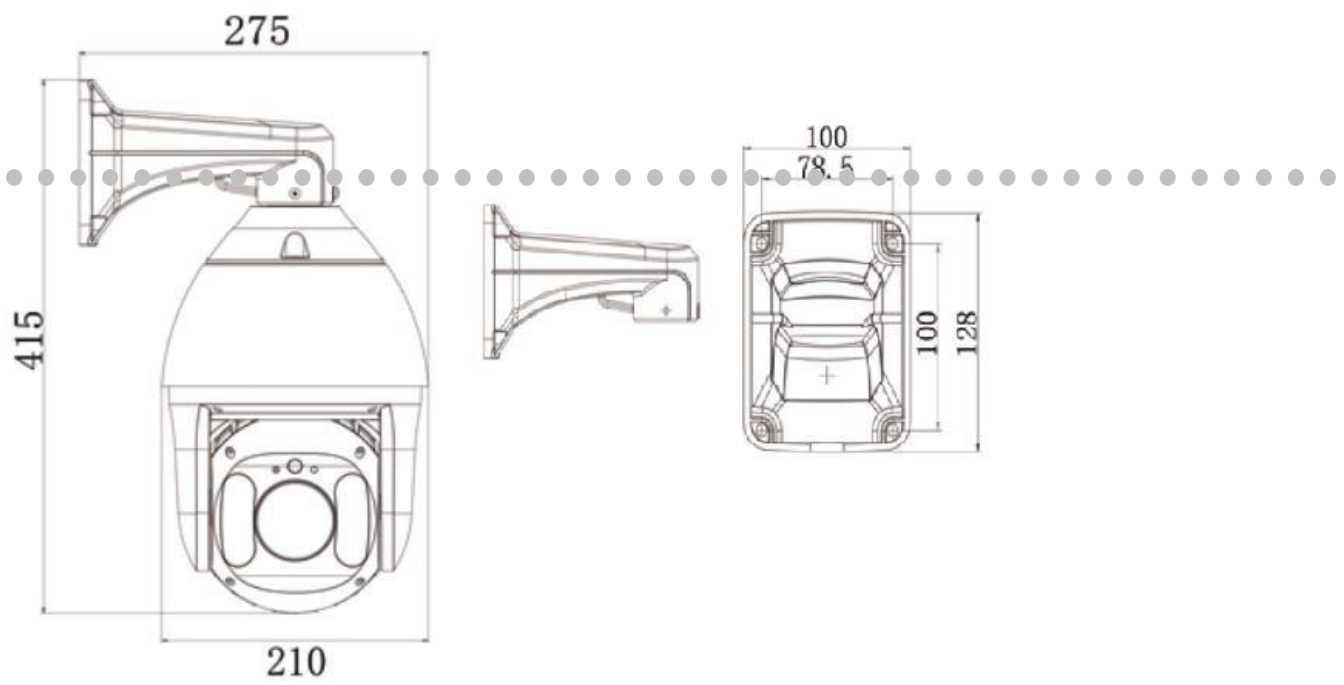
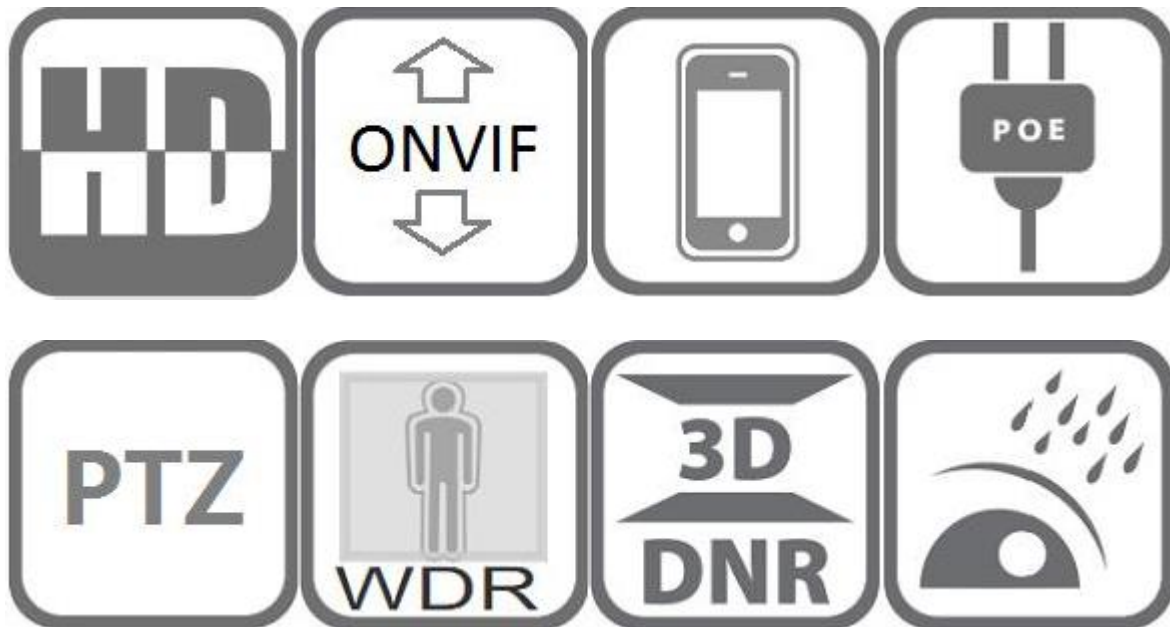


**Model: SST-PTZ-V6-M6**

**7-inch 8MP 33X Optical Zoom Auto Tracking Outdoor IP PTZ Speed Dome Camera**





## Features:

- 1/2.8" Sony low-light CMOS sensor
- 4K 8MP resolution 3840 x 2160 output
- low illumination 0.01Lux
- 33x optical zoom lens
- Smart Human and Vehicle Detection Alarm
- Smart Human Motion Auto Tracking
- Day/Night, AWB/MWB,BLC, HLC, 2D/3D-DNR,Shutter, IR-CUT
- D-WDR, Mirror, flip, Defogging
- Multiply Style OSD Overlay,Motion Detection, Privacy Mask
- RTSP and Onvif 17.06 compatible with many third-party NVR
- H.264/H.265 dual-stream media server
- Easy-to-use P2P Cloud service
- Support user authentication, video data encryption
- Support Alarm Snapshot to Email and FTP
- Multiply WEB browser IE,Firefox,Chrome,Edge,Safari
- Free PC Client, Mobile APP remote access
- RJ45 100mbps network port, IEEE802.3af 48v PoE
- Lightning protection 4000V
- Strong water-proof housing IP66
- 8 pcs Array IR Led, IR distance 120-160 meters
- Build in Mic.

## Technical Specifications:

<b>Camera</b>	
Image Sensor	1/2.8" Sony CMOS
Effective Pixels	8 megapixels
Electronic Shutter	AUTO, 1/10s ~ 1/100000s
Min. Illumination	0.01Lux@F1.2(AGC ON)
Day/Night	Auto/Color/(B/W)/Timing
WDR	Digital WDR
White Balance	Auto/Manual
BLC /HLC	Support
DNR	2D/3D DNR
Other	Image adjust , Flip
<b>Encode</b>	
Video Standard	H.264/H.265/Mjpeg
Video Resolution	MainStream:20fps@8MP(3840x2160),30fps@6MP(3072x2048)/5MP(2592x1944)/4MP/3MP/1080P/720P,etc. Sub stream: 720x480/VGA(640x480)/360P/QVGA@30fps,etc. Third stream: 1080P/720P/CIF @ 10fps
Video Bitrates	512Kbps - 12Mbps, VBR/CBR
Audio Standard	G.711-u/G.711-a/AAC
Smart Detection	Smart Human and Vehicle Detection
<b>IR Led</b>	
IR Led	8pcs array IR Led (4 near + 4 far)
IR Distance	120-160 M
<b>Lens</b>	
Focal length	4.5-148.5mm
IRIS	Auto Iris
View angle	68 - 2.8°
Zoom	33x optical zoom; Support Auto Tracking
<b>Function</b>	
High power PoE, Build in Micro SD Card Slot (max support 512GB)	
<b>PTZ</b>	
Pan/Tilt Range	Pan: 0° ~ 360°; Tilt: -15° ~ 90°
Preset Point	255
Control Speed	Pan: 0.5° ~60° /s; Tilt: 0.5° ~60° /s
A-B Scanning	Support
Auto Cruising	Support
Power on Action	Support
Power-off Recovery	Preset/Scan/Cruise/Pattern
<b>Network Services</b>	
Protocol	HTTP/RTSP/FTP/SMTP/DHCP/NTP/NFS/RTMP, etc.
P2P	Yes
Web	IE, Firefox, Chrome, Edge, Safari
Media	CMS, Android, IOS
ONVIF	17.06 compatible
<b>General</b>	
Network Port	1-RJ45, 100Mbps, PoE 48V in
Power Supply	12 VDC ± 10% 2A

Power Consumption	< 20 W
Operating Temp.	-30°C-(+60)°C, 10%-90%RH