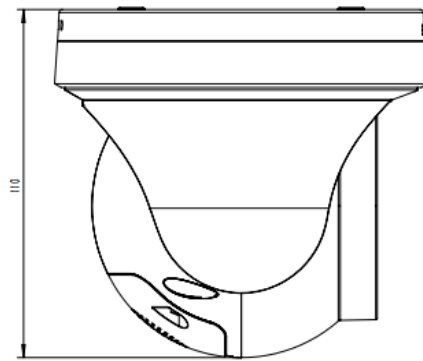
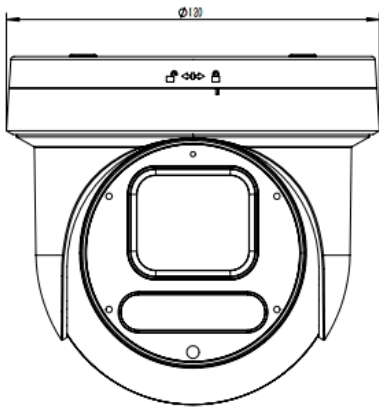
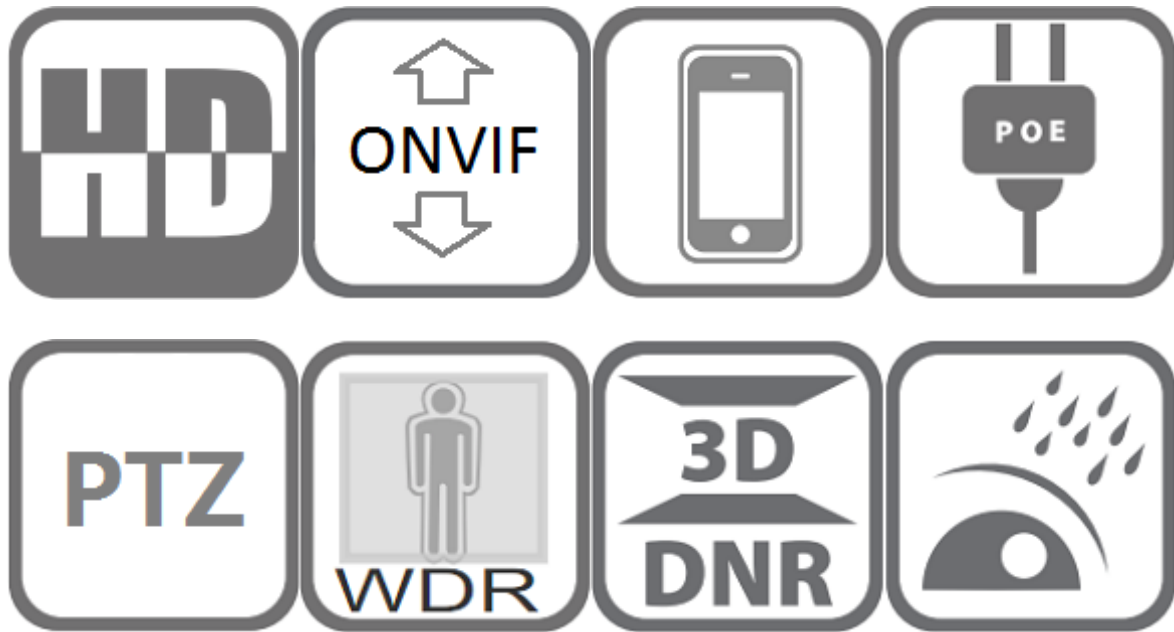


Model: SST-PTZ-V7-8M

4K 8MP 5X Optical Zoom Dual-Light Turret PTZ IP Camera





Features:

- 1/2.8" Sony CMOS sensor
- 4K resolution 3840 x 2160P
- Low illumination 0.01Lux
- 5x optical zoom lens
- Smart Human and Vehicle Detection Alarm
- Built-in Mic and speaker, two-way audio
- Siren and voice alarm, flash alarm
- Day/Night, AWB/MWB, BLC, HLC, 2D/3D-DNR, Shutter, IR-CUT
- D-WDR, Flip, Defogging
- Multiply Style OSD Overlay, Motion Detection, Privacy Mask
- RTSP and Onvif 17.06 compatible with many third-party NVR
- H.264/H.265 three-stream media server
- Easy-to-use P2P Cloud service
- Support user authentication, video data encryption
- Support Alarm Snapshot to Email and FTP
- Multiply WEB browser IE,Firefox,Chrome,Edge,Safari
- Free PC Client, Mobile APP remote access
- RJ45 100mbps network port, IEEE802.3af 48v PoE
- Lightning protection 4000V
- Strong metal water-proof housing, IP66
- 4 pcs Array IR and warm-light Led
- IR distance 40 meters, warm-light distance 30 meters
- Reset key, Micro-SD slot (Max. 512G)

Technical Specifications:

Model	SST-PTZ-V7-8M
Camera	
Image Sensor	1/2.8" Sony CMOS
Effective Pixels	8 megapixels
Electronic Shutter	AUTO, 1/10s ~ 1/100000s
Min. Illumination	0.01Lux@F1.2(AGC ON)
Day/Night	Auto/Color/(B/W)/Timing
WDR	Digital WDR
White Balance	Auto/Manual
BLC /HLC	Support
DNR	2D/3D DNR
Other	Image adjust , Flip
Encode	
Video Standard	H.265+/H.265/H.264/MJPEG
Video Resolution	MainStream:20fps@8MP(3840x2160),30fps@6MP(3072x2048)/5MP(2592x1944)/4MP/3MP/1080P/720P,etc. Sub stream: 720x480/VGA(640x480)/360P/QVGA@30fps,etc. Third stream:1080P/720P/CIF@10fps
Video Bitrates	512Kbps - 12Mbps, VBR/CBR
Audio Standard	G.711-u/G.711-a/AAC
Two-way Audio	Yes
Smart Detection	Smart Human and Vehicle Detection
Micro-SD Slot	Max. 512G
Reset Key	Yes
IR&warm light Led	
Led	4pcs array IR&warm Led
Distance	40 m (IR), 30 m (warm light)
Lens	
Focal length	2.7-13.5 mm AF
Zoom	5x optical zoom
PTZ	
Pan/Tilt Range	Pan: 0° ~ 280°; Tilt: 0° ~ 90°
Preset Point	10
Control Speed	Pan: 15° /s; Tilt: 15° /s
Guard Position	Support
Power-off Recovery	Support
Network Services	
Protocol	HTTP/RTSP/FTP/SMTP/DHCP/NTP/NFS/RTMP, etc.
P2P	Yes
Web	IE, Firefox, Chrome, Edge, Safari
Media	CMS, Android, IOS
ONVIF	17.06 compatible
General	
Network Port	1-RJ45, 100Mbps, PoE 48V in

Power Supply	12 VDC \pm 10% 2A
Power Consumption	< 15 W
Operating Temp.	-30°C-(+60)°C, 10%-90%RH
Size	Φ 120(mm) \times 110(mm)
Weight	0.68kg