

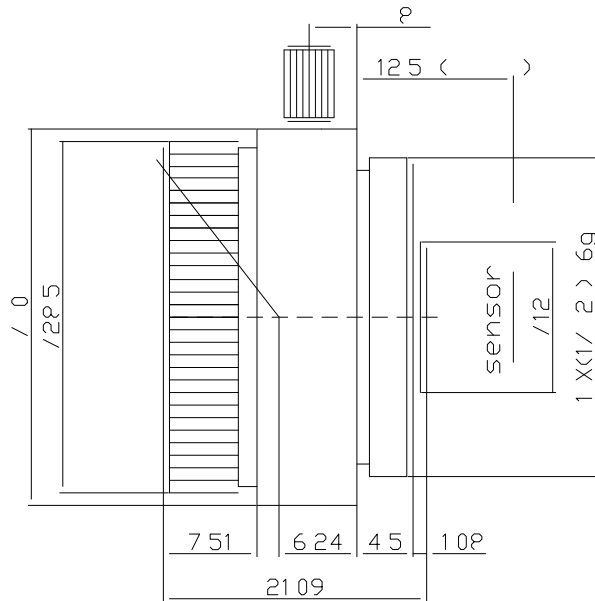
1/2.5" Megapixel IR Series

- 4mm
- F1.6
- 3 Megapixel
- 1/2.5" Format
- CS
- IR Correction



E.F.L.	4 mm	
F No.	F1.6	
H.FOV	1/2.8" 1080P	76°
	1/3.2" 4:3	62°
Image Format	1/2.5"	
Iris Type	Fixed	
Mount Type	CS	
M.O.D	0.3m	
TV Distortion	-12%	
Chief Ray Angle (Max)	<15°	
Control Type	Zoom	/
	Focus	Manual
Operating Temperature	-20°C ~ 60°C	
Weight	26g ±3g	

Dimensions



Tolerance(mm)	0 ~ 10 ±0.05	10 ~ 30 ±0.10	30 ~ 120 ±0.20	Angle ±2°
---------------	--------------	---------------	----------------	-----------