



Item Number: AZ-XVRKEYB

Product features:

The keyboard is DVR, high-speed dome and decoder terminal receiver supporting products

Keyboard and receiver adopt the EIA/RS - 485 communication interface to achieve function control

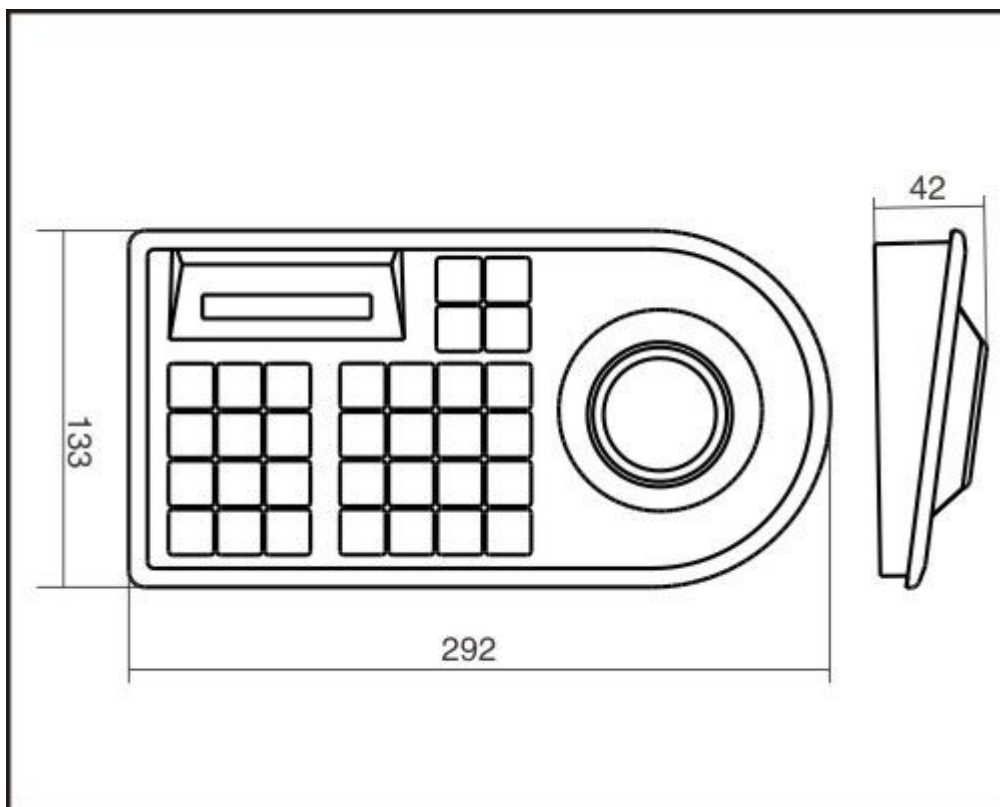
Max can control 16 DVR at the same time

Max can control 64 Speed dome and decoder

The maximum communication distance of Keyboard and receiver is 1.2 KM

Keyboard can realized the control of front-end equipment such as scanner, lens, lights, wiper

The shape size:



Specifications :

Category	Parameter
Item Number	AZ-XVRKEYB
The power supply voltage	9VDC
Power consumption	3W
Interface standards	RS485
Standard baud rate	1200~9600bps optional
Racker	3D
Match the hard disk video recorder DVR	comparte Hekvision、 Dahua,etc.MainstreamDVR、 NVR
Weight	0.6kg
Dimension	262×133W×42mm
