

## PRODUCT SPECIFICATION

**PRODUCT:** Mega-Pixel Lens With IR Functior

**ITEM NO. :** SST-RIC-JK03312DIR

**CUSTOMER:**

**CUSTOMER APPROVAL:**

**SALES:**

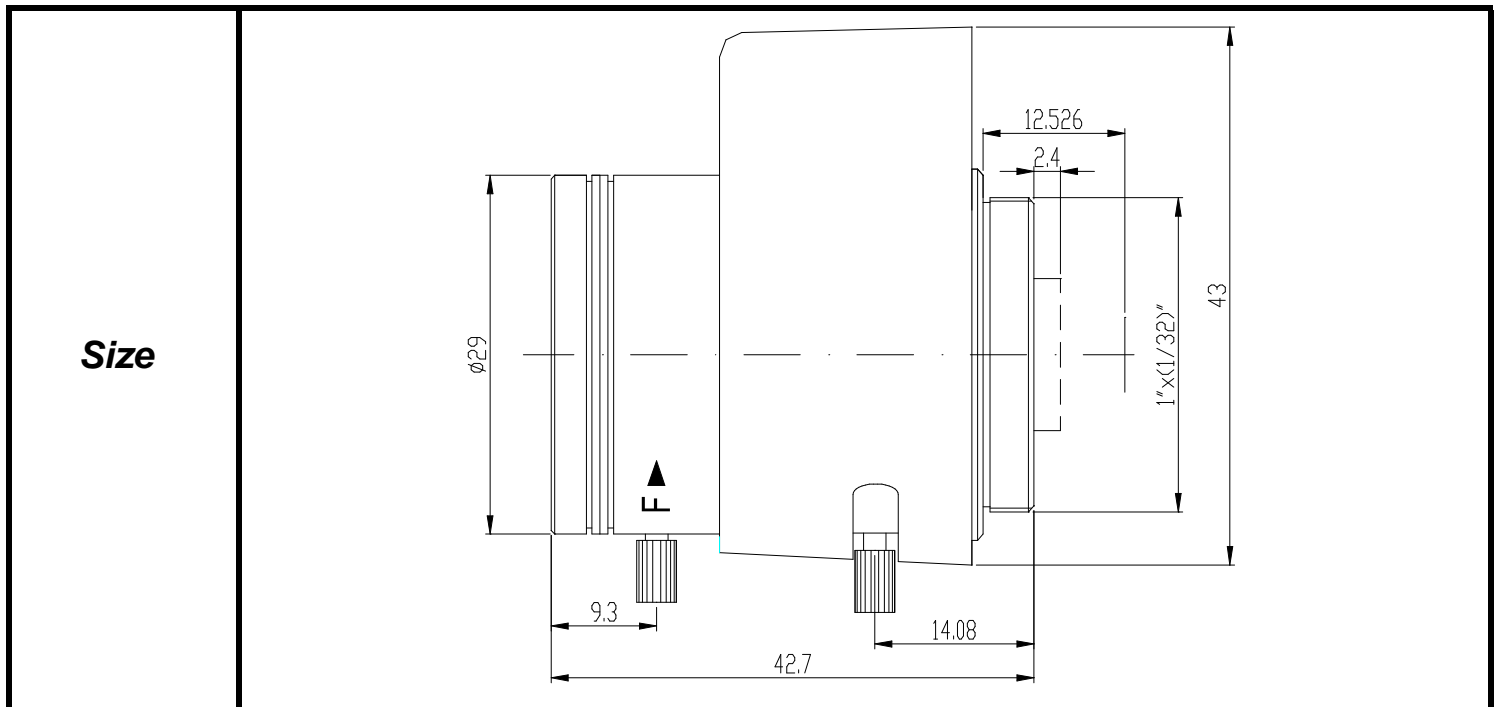
DATE DATE

DATE

/ / / / / /

APPROVAL	CHECKED	MAKE
SB	SB	SB

Parameter of Lens		Photo ( Just for Reference)	
Remark	2.0Mega pixel/IR		
Model No			
Focal-Length(mm)	3.3~12		
Aperture(D/f')	1 /1.4		
Mount	CS		
Format(inch)	1/2.7"		
Horizontal Field	79.3°~29.8°		
Dimension(mm)	φ29x42.7x43		
Weight(g)	61.2		
M.O.D(m)	0.2		
Operation	Focus		(w/lock)
	Zoom		(w/lock)
	Iris		DC

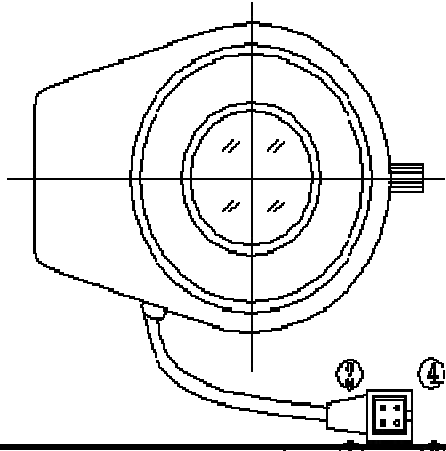


Tolerance	Dimension	X_XX	X_X	X_	Unit
	Tolerance		±0.01	±0.05	±0.10

Since 2005

CCTV LENS

### Auto-Iris



<b>DC Resistance</b>	Excite	200Ω±10%
	Brake	560Ω±10%
<b>Operating Voltage</b>	C→O	0.9V~3V
	O→C	0.5V min
<b>Iris Wiring instruction</b>	①	Drive-
	②	Drive+
	③	Damp+
	④	Damp-
Iris Line Length:300mm		

<b>Operating Parameters</b>	Ambient Temperature	Relative Humidity (35°C)
	-20°C~+50°C	95%~98%

### Vari-Focal Lens

This lens has two(2) focal distance. The change of Tele/wide can be done with zooming. In case you want to make focus at an optional position between Tele/wide you must re-adjust focusing once again.

### Direct Drive Iris

This lens is not built-in amplifier for auto iris (AUTO IRIS CONTROL PRINTED CIRCUIT BOARD). Iris blade on lens is being operated by DC from camera accordingly. Please use this lens with combination of camera built-in auto iris amplifier (DC-iris) or camera which can be switchable for Video signal/DC-iris.

### Adjustment Of Fixing Position

Fixing between mount and camera must be tuned right toward camera to the end tightly. Lens must be tuned to opposite direction (not clockwise) and you can adjust fixing position of lens quite easily. As per sketch No.1 part of Galvanometric meter must be positioned on left side toward front of camera when you fix lens on camera. When you want to take lens off from camera, you must turn lens to left direction.

### Maintenance and Attention

- Carefully make sure that the format size and mount type are suitable for the camera.
- Do not use this lens in an environment that includes high temperatures and humidity or strong vibration.
- Do not touch the surface of the lens, and keep the cap on the lens when not in use.
- When using this lens with a camera housing, keep more than 10mm from the front lens to the glass at the front of the housing.
- Do not take this unit apart or alter the internal mechanism.
- We are not responsible for malfunctions due to customer's modification or mishandling of product.