

SNO-6095RH

2M Network IR LPR Camera

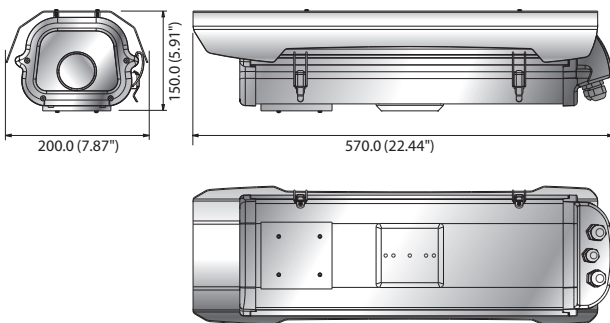


Key Features

- Max. 2megapixel (1920 x 1080) resolution
- 0.015Lux@F1.2 (Color), 0Lux@F1.2 (B/W : IR LED on)
- 8 ~ 50mm (6.3x) varifocal lens
- H.264, MJPEG dual codec, Multiple streaming
- WDR (120dB), Defog
- Audio / Face / Motion detection
- SD/SDHC/SDXC memory slot
- Licens plate capture : 20m (Max. 120km/h)
- IR viewable length 100m, IP66

Dimensions

Unit : mm (inch)



SNO-6095RH

VIDEO	
Imaging Device	1/1.9" 2.42M CMOS
Total Pixels	1,952(H) x 1,241(V)
Effective Pixels	1,937(H) x 1,097(V)
Scanning System	Progressive
Min. Illumination	Color : 0.015Lux (1/30sec, F1.2, 30IRE) B/W : 0Lux (IR LED on)
S / N Ratio	50dB
Video Output	CVBS : 1.0Vpp / 75Ω composite, 704 x 480(N), 704 x 576(P), for installation DIP connector type
LENS	
Focal Length (Zoom Ratio)	8 ~ 50mm (6.3x) varifocal
Max. Aperture Ratio	F1.6
Angular Field of View	H : 41.0°(Wide) ~ 7.2°(Tele) / V : 30.75°(Wide) ~ 5.4°(Tele)
Min. Object Distance	1.5m (Tele) ~ 0.3m (Wide)
OPERATIONAL	
Day & Night	Auto (ICR) / Color / B/W / External / Schedule
Backlight Compensation	Off / BLC / WDR
Wide Dynamic Range	120dB
Contrast Enhancement	SSDR (Off / On)
Digital Noise Reduction	SSNR III (2D+3D noise filter) (Off / On)
Digital Image Stabilization	Off / On
Defog	Off / Auto / Manual
Gain Control	Off / Low / Middle / High
White Balance	ATW / AWC / Manual / Indoor / Outdoor
Electronic Shutter Speed	Minimum / Maximum / Anti flicker (2 ~ 1/12,000sec)
Flip / Mirror	Off / On
Intelligent Video Analytics	Tampering, Virtual line, Enter / Exit, (Dis)Appear, Audio detection, Face detection - Support metadata
Alarm I/O	Input 1ea / Output 1ea
Remote Control Interface	RS-485
Alarm Triggers	Motion detection, Video analytics, Network disconnection, Alarm input
NETWORK	
Ethernet	RJ-45 (10/100BASE-T)
Video Compression Format	H.264 (MPEG-4 part 10/AVC), MJPEG
Resolution	1920 x 1080, 1280 x 1024, 1280 x 960, 1280 x 720, 1024 x 768, 800 x 600, 800 x 450, 720 x 576, 640 x 480, 640 x 360, 320 x 240, 320 x 180
Max. Framerate	60fps (H.264)
Video Quality Adjustment	H.264 : Compression level, Target bitrate level control, MJPEG : Quality level control
Bitrate Control Method	H.264 : CBR or VBR, MJPEG : VBR
Streaming Capability	Multiple streaming (Up to 10 profiles)
Audio I/O	Selectable (Mic in / Line in), Built-in mic. Max output level : 1Vrms Supply voltage : 2.5V DC (4mA), Input impedance : approx. 2K Ohm Line out, Max output level : 1 Vrms
Audio Compression Format	G.711 u-law/G.726
Audio Communication	Bi-directional audio (2-Way)
IP	IPv4, IPv6
Protocol	TCP/IP, UDP/IP, RTP(UDP), RTP(TCP), RTCP, RTSP, NTP, HTTP, HTTPS, SSL, DHCP, PPPoE, FTP, SMTP, ICMP, IGMP, SNMPv1/v2c/v3(MIB-2), ARP, DNS, DDNS, QoS, PIM-SM, UPnP, Bonjour
Security	HTTPS(SSL) login authentication, Digest login authentication IP address filtering, User access log, 802.1x authentication
Streaming Method	Unicast / Multicast
Max. User Access	20 users at unicast mode
Edge Storage	SD/SDHC/SDXC
Application Programming Interface	ONVIF profile S, HTTP API v2.0
IR LED	
Viewable Length	1) 20m (Licens plate capture, Max. 120km/h) 2) 100m (Normal use)
IR Radiation Angle	25°
IR LED	15ea
Wave Length	850nm
IR LED Control	Auto Off / On
ENVIRONMENTAL	
Operating Temperature / Humidity	-20°C ~ +50°C / Less than 90% RH
Ingress Protection	IP66
ELECTRICAL	
Input Voltage / Current	220V AC (Internal 12V DC, 5A)
Power Consumption	Max. 42W
MECHANICAL	
Color / Material	Light gray / Aluminum, Front/Rear (ABS)
Dimensions (WxHxD)	200.0 x 150.0 x 570.0mm (7.87" x 5.91" x 22.44")
Weight	4.6Kg (10.14 lb)

* The latest product information / sepecification can be found at hanwha-security.com

* Data recorded on an SD memory card may be lost or damaged by data access during power-off, mechanical shock, memory card detachment, or other operations. Data loss or damage can also occur when a memory card reaches end of life, which varies according to operational conditions. No guarantee is given against damage (including passive damage).